



Quick Start Guide
Housing Base Set A VCXG.I r IP65/67 HA

Download latest camera software:
www.baumer.com/vision/software

Download latest technical documentation:
www.baumer.com/cameras/docs

Product Specification

Housing Base Set A VCXG.I r IP65/67 HA

- Hard anodized cylindric housing corpus for VCXG.I cameras for modular housing to meet Parma and Food & Beverage applications requirements
- Compact size
- Robust construction
- Vibration-proof mounting
- IP 65/67 rating
- Excellent heat dissipation

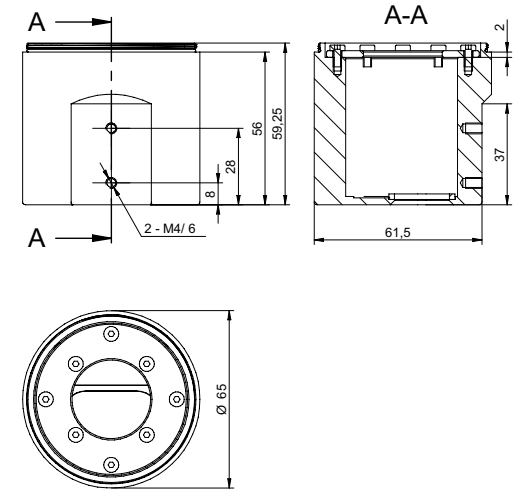
Caution

The suitability of the product for the users application **with its specific conditions of practice has to be tested and guaranteed by the user himself.**
For special applications, please contact us in writing. We reserve the right to make technical changes.

Notice

Further technical details are available in the respective data sheet.

Dimensions



Conformity / Environmental Requirements

Conformity



The products complies with the recommendation of the European Union concerning RoHS Rules.

Environmental Requirements

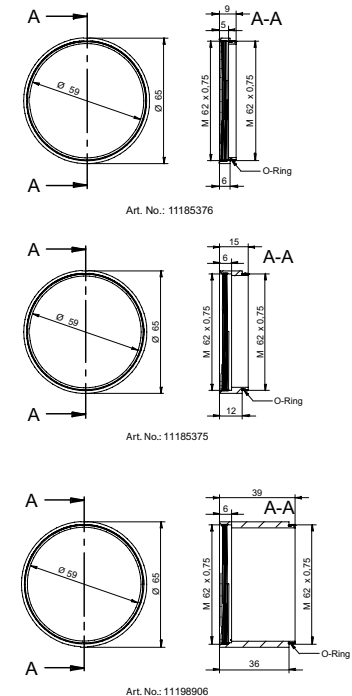
Environmental Requirements
Operating temperature -40 °C (-40 °F) ... 70 °C (158 °F)
Humidity 10 % ... 90 % Non-condensing
Ambient temperature above 50 °C (122 °F) requires heat dissipation measures.

Safety Precautions

Caution

- Inappropriate handling of the enclosure or any parts thereof may lead to a leaky enclosure and may cause damage to the enclosed camera. Baumer can take no liability for damages caused by improper handling.
- The products have been designed for a typical machine vision application where the camera set-up is done once in order to build an application. Frequent disassembly of the enclosure requires all seals and gaskets to be renewed.
- Baumer uses the best possible sealing materials for typical applications. However every application is different - please check if our sealing material is durable under the use intended.
- Do not assemble the enclosure if any parts are damaged – this counts especially for the seals and sealing flanges of the enclosure!
- The enclosure front / rear lid is properly tightened when the seals are flush with the enclosure. Do not over-tighten the lids in a way that the seal protude over the enclosure walls.

Tube Moduls (M62)



Further Information

For further information on our products visit www.baumer.com
For technical issues, please contact our technical support:
support_cameras@baumer.com · Phone +49 (0)3528 4386-0 · Fax +49 (0)3528 4386-86
© Baumer Optronic GmbH · Badstrasse 30 · DE-01454 Radeberg, Germany

Technical data has been fully checked, but accuracy of printed matter not guaranteed.

