

## U500.PA0-GP1B.720

Ultrasonic proximity sensors - standard

Article number: 11110577

### Overview

- 100 ... 1000 mm
- push-pull
- qTeach
- connector M12
- -25 ... 65 °C
- IP 67



Picture similar



### Technical data

#### General data

Scanning range Sd	100 ... 1000 mm
Scanning range far limit Sde	100 ... 1000 mm
Hysteresis typ.	4 % Sde
Repeat accuracy	0.5 mm
Temperature drift	< 2 % Sde
Power-up drift	Compensated after 15 min.
Response time ton	< 50 ms
Release time toff	< 50 ms
Sonic frequency	220 kHz
Adjustment	qTeach
Light indicator	LED yellow
Power on indication	LED green
Alignment measuring axis	< 2°

#### Electrical data

Voltage supply range +Vs	12 ... 30 VDC
Current consumption typ.	35 mA

#### Electrical data

Output circuit	Push-pull
Output current	< 100 mA
Voltage drop Vd	< 3.5 VDC
Residual ripple	< 10 % Vs
Short circuit protection	Yes
Reverse polarity protection	Yes

#### Mechanical data

Type	Rectangular
Housing material	Plastic (ASA, PMMA)
Width / diameter	18 mm
Height / length	45 mm
Depth	32 mm
Connection types	Connector M12

#### Ambient conditions

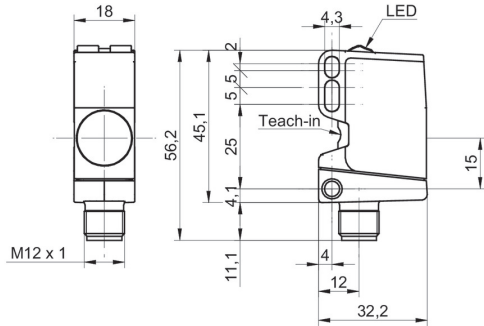
Operating temperature	-25 ... +65 °C
Storage temperature	-40 ... +75 °C
Protection class	IP 67

# U500.PA0-GP1B.720

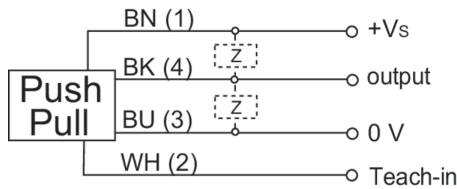
Ultrasonic proximity sensors - standard

Article number: 11110577

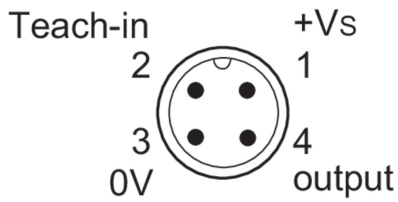
## Dimension drawing



## Connection diagram



## Pin assignment



## Typical sonic cone profile

