

DLM30-BU

Compact button load cells for industrial applications

DLM30-BU.###.CP3.C4

Overview

- Compression load from 0... 10'000 N
- Non-linearity < 0.2 %
- Sensor body made of stainless steel with protection class IP68
- Fully welded sensor design
- Durable with 100% working stroke



Technical data

General data

Measuring range	0 ... 10000 N
Non-linearity	< 0.2 %
Repeatability	< 0.1 %
Temperature effect zero	< 0.2 % / 10K
Zero point deviation	< 20 %
Type	Button
Mechanical mounting	4 x M3 screws / loose

Electrical data

Nominal sensitivity	1 mV/V
Bridge resistance	1000 Ω
Supply voltage	0.5 ... 12 VDC
Signal polarity positive	Compression

Mechanical data

Overload	150 %
----------	-------

Mechanical data

Breaking load	200 %
Fatigue strength	>10 Mio cycles at 0...100% FS
Nominal displacement	18 μm
Weight	65 g
Material sensor body	Stainless steel, 1.4542
Electrical connection	M8, 4 pin, male

Environmental conditions

Operating temperature range	-40 ... 85 °C
Storage temperature range	-40 ... 85 °C
Protection class EN 60529, ISO20653	IP 68

Compliance and approvals

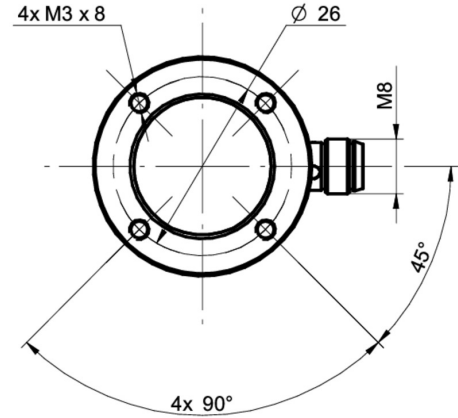
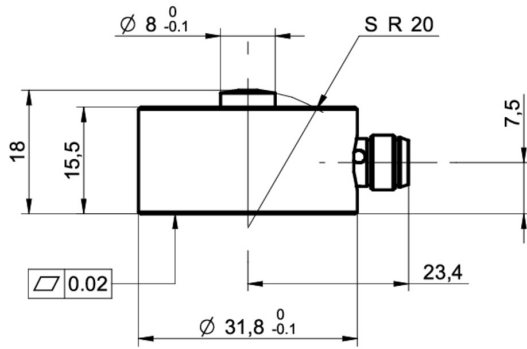
UL listed	E217824
-----------	---------

DLM30-BU

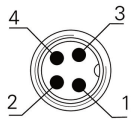
Compact button load cells for industrial applications

DLM30-BU.###.CP3.C4

Dimensional drawings (mm)



Electrical connection



- 1 +Vs
- 2 Sig +
- 3 -Vs
- 4 Sig -

Ordering key - Configuration possibilities see website

	DLM	30	-	BU	.	###	.	C	P3	.	C4
Product group	Membrane force sensor										
Size category	30										
Type	Button										
Nominal force	200 N										
	500 N										
	1 kN										
	2 kN										
	5 kN										
	10 kN										
Measuring direction positive	Compression										
Output signal	Nominal sensitivity 1.00 mV/V										
Electrical connection	M8, 4 pin, male										