

Overview

- Large measurement range up to 80 m via IO-Link
- Push-pull and IO-Link output
- Narrow beam reduces false object detection
- Suitable for distance measurement in outdoor areas
- Ideal for measurements on corner cube



Picture similar



Technical data

General data

Scanning range Sd	0.5 ... 60 m
Scanning range close limit Sdc	0.5 ... 60 m
Scanning range far limit Sde	0.5 ... 60 m
Version	IO-Link dual channel
Repeat accuracy	< 1 mm
Response time ton	< 80 ms
Release time toff	< 80 ms
Temperature drift	<± 10 mm (Full Scale)
Power-up drift	Compensated after 20 min.
Adjustment	IO-Link
Light indicator	LED yellow
Power on indication	LED green
Carrier frequency	122 ... 123 GHz
Band width	1 GHz
Range resolution	500 mm
Hysteresis typ.	2 % Sde
Linearity error	± 10 mm
Modulation type	FMCW
Transmitting power (EIRP)	< +20 dBm
Aperture angle	6 °
MTTF	> 126 years
Approvals/certificates	Ecolab FCC / CFR-47 part 15 (USA) RSS-210 Issue 10 (Canada) EN 305 550-1 V.1.2.1 (European Union) EN 305 550-2 V.1.2.1 (European Union)

Electrical data

Voltage supply range +Vs	12 ... 30 VDC
--------------------------	---------------

Electrical data

Current consumption max. (no load)	200 mA
Short circuit protection	Yes
Reverse polarity protection	Yes, Vs to GND
Output circuit	IO-Link / push-pull
Output current	< 100 mA < 50 mA (out 2)
Voltage drop Vd	< 2.5 VDC

Mechanical data

Type	Cylindrical threaded
Housing material	Stainless steel 1.4404 (V4A)
Width / diameter	30 mm
Height / length	107 mm
Connection types	Connector M12

Ambient conditions

Operating temperature	-40 ... +65 °C
Storage temperature	-40 ... +85 °C
Protection class	IP 68/69K & proTect+

Communication interface

Interface	IO-Link V1.1
Baud rate	230,4 kBaud (COM 3)
Cycle time	≥ 4 ms
Process data length	208 Bit
Process data structure	Bit 0 = SSC1 (distance) Bit 1 = SSC2 (distance) Bit 2 = quality Bit 3 = alarm Bit 5 = SSC4 (counter) Bit 8-15 = scale factor Bit 16-47 = 32 Bit measurement Bit 48-207 = 5 Peak (32 Bit Daten)

2021-11-10 The product features and technical data specified do not express or imply any warranty. Technical modifications subject to change.

Technical data

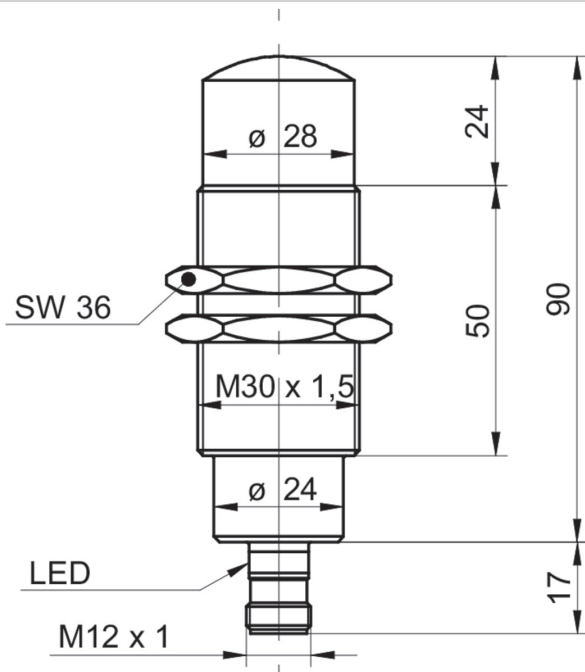
Communication interface

IO-Link port type	Class A
Additional data	Distance Excess gain Operating cycles Operating hours Boot cycles Operating voltage Device temperature Histograms Velocity
Adjustable parameters	Switching point Switching hysteresis Measured value filtering Measuring range Time filters Output logic Output circuit Counter Analog output characteristic LED status indicators Deactivate the sensor element Find Me function Switching window definition Signal sensitivity Signal selection (1. / 2. / strongest / last) Tracking mode

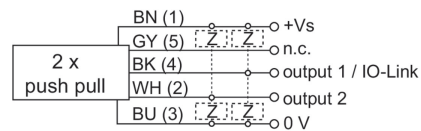
Communication interface

Predefined preference profiles	Precise (standard) Fill level fluid (slow) Fill level fluid (fast) Fill level solid Fast detection Tracking (slow) Tracking (standard) Tracking (fast)
--------------------------------	---

Dimension drawing



Connection diagram



Pin assignment

