

ONDK 25G6911

SmartReflect Light barriers - for longer ranges

Article number: 11079993

Overview

- light barrier
- 100 ... 1900 mm
- pulsed red laser diode
- push-pull
- Teach-in
- cable, 2 m
- 50 °C
- IP 67



Picture similar



Technical data

General data		Electrical data	
Type	Light barrier	Voltage drop Vd	< 3,5 VDC
Version	Standard object detection	Output function	Light / dark operate
Light source	Pulsed red laser diode	Output circuit	Push-pull
Background position Sde	100 ... 1900 mm	Output current	< 100 mA
Scanning range Sa	97% ... 83% Sde	Short circuit protection	Yes
Alignment / soiled lens indicator	Flashing light indicator	Reverse polarity protection	Yes
Power on indication	LED green	Mechanical data	
Light indicator	LED yellow	Width / diameter	23,4 mm
Sensing distance adjustment	Teach-in	Height / length	63 mm
Laser class	1	Depth	45 mm
Wave length	656 nm	Type	Rectangular
Beam diameter	3,7 ... 22 mm	Housing material	Plastic (SAN LURAN 378P)
Electrical data		Front (optics)	PMMA
Response time / release time	< 10 ms	Connection types	Cable, 2 m
Voltage supply range +Vs	10 ... 30 VDC	Ambient conditions	
Current consumption max. (no load)	80 mA	Operating temperature	0 ... +50 °C
		Protection class	IP 67
		Storage temperature	-10 ... +70 °C

Remarks

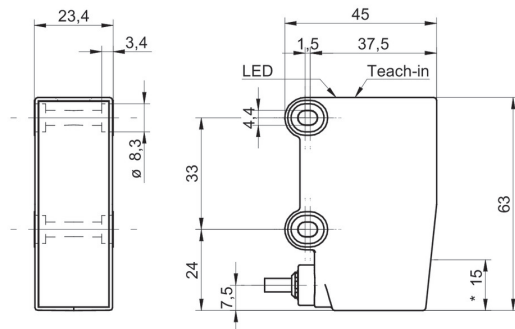
- qTeach

ONDK 25G6911

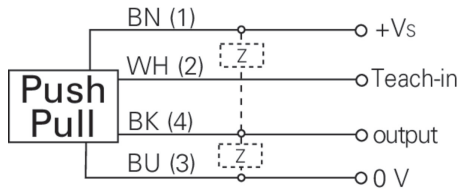
SmartReflect Light barriers - for longer ranges

Article number: 11079993

Dimension drawing



Connection diagram



Laser warning

**CLASS 1 LASER
PRODUCT**

IEC 60825-1/2014
Complies with 21 CFR 1040.10 and
1040.11 except for conformance with
IEC 60825-1 Ed. 3., as described in
Laser Notice No. 56, dated May 8, 2019

Switching point

