

## OR18.ZL-NV1P.7BCV/B013

Diffuse sensors with intensity difference - standard

Article number: 11157806

### Overview

- intensity difference
- 10 ... 300 mm
- pulsed red laser diode
- NPN complementary
- potentiometer, 270°
- cable 4 pin, 2 m
- -10 ... 55 °C
- IP 67



Picture similar



### Technical data

#### General data

Type	Intensity difference
Light source	Pulsed red laser diode
Sensing distance Tw	10 ... 300 mm
Power on indication	LED green
Output indicator	LED yellow
Sensing distance adjustment	Potentiometer, 270°
Laser class	1
Distance to focus	100 mm
Wave length	630 nm
Suppression of reciprocal influence	Yes

#### Electrical data

Response time / release time	< 0,34 ms
Voltage supply range +Vs	10 ... 30 VDC
Current consumption max. (no load)	45 mA

#### Electrical data

Current consumption typ.	35 mA
Voltage drop Vd	< 2 VDC
Output function	Light / dark operate
Output circuit	NPN complementary
Output current	< 100 mA
Short circuit protection	Yes
Reverse polarity protection	Yes

#### Mechanical data

Width / diameter	18 mm
Height / length	77 mm
Type	Cylindrical threaded
Housing material	Brass nickel plated
Front (optics)	PMMA
Connection types	Cable 4 pin, 2 m

#### Ambient conditions

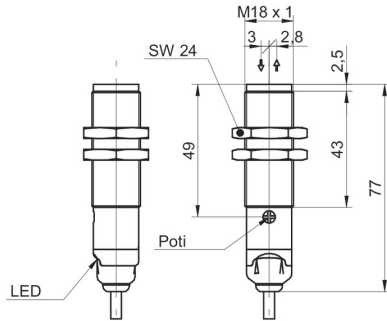
Operating temperature	-10 ... +55 °C
Protection class	IP 67

# OR18.ZL-NV1P.7BCV/B013

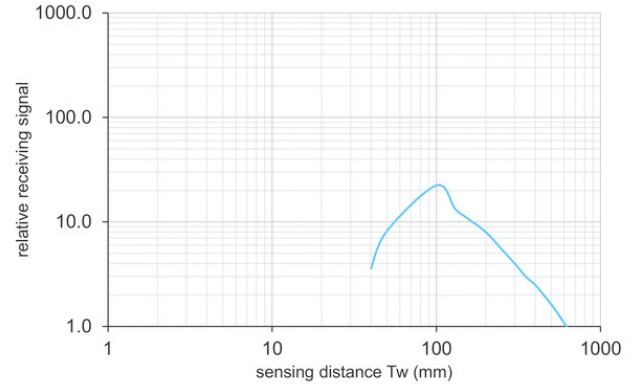
Diffuse sensors with intensity difference - standard

Article number: 11157806

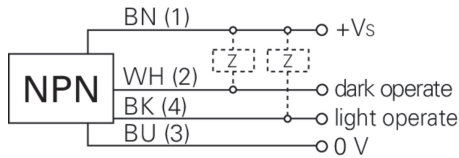
## Dimension drawing



## Relative receiving signal



## Connection diagram



## Laser warning

**CLASS 1 LASER  
PRODUCT**

IEC 60825-1/2014  
Complies with 21 CFR 1040.10 and  
1040.11 except for conformance with  
IEC 60825-1 Ed. 3., as described in  
Laser Notice No. 56, dated May 8, 2019

## Beam characteristic (typically)

