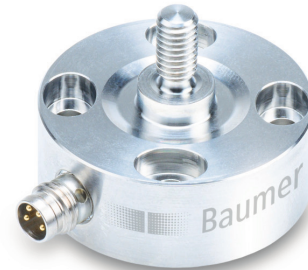


## 产品一览

- 拉压力测量范围高达20 kN
- 线性误差 < 0.2 %
- 可通过两端螺纹安装固定
- 传感器主体采用不锈钢制成 · 防护等级达IP68
- 全焊接设计
- 抗疲劳强度高 · 可承受相对振幅为100%的动态载荷



## 技术数据

### 基本参数

Measuring range	0 ... 20 kN
Non-linearity	< 0.2 %
Repeatability	< 0.1 %
Temperature effect zero	< 0.2 % / 10K
Zero point deviation	< 20 %
Type	Screw-on
Mechanical mounting	4 x M6 screws / M12 thread

### 电气参数

Nominal sensitivity	1 mV/V
Bridge resistance	1000 Ω
Supply voltage	0.5 ... 12 VDC
Signal polarity positive	Tension

### 机械参数

Overload	150 %
Breaking load	200 %
Nominal displacement	36 μm

### 机械参数

Weight	330 g
Material sensor body	Stainless steel, 1.4542
Fatigue strength	>10 Mio cycles at 0...100% FS
Electrical connection	M8, 4 pin, male

### 环境条件

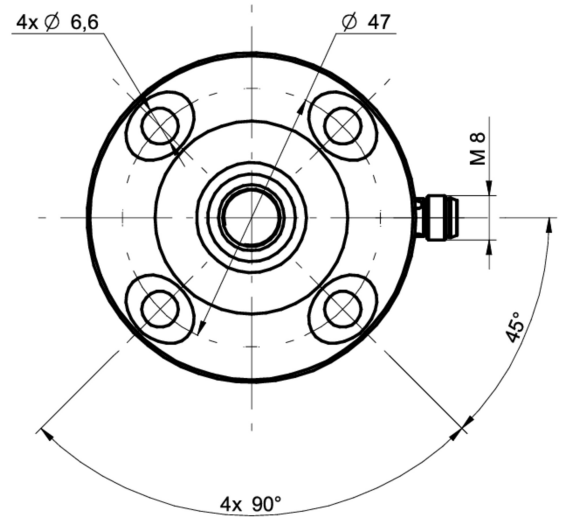
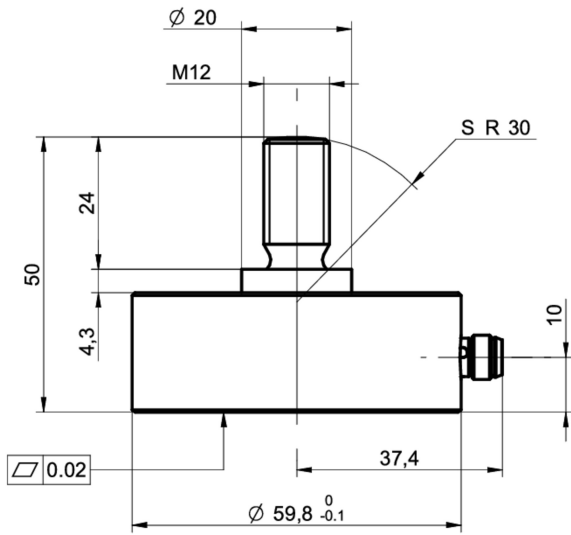
Operating temperature range	-40 ... 85 °C
Storage temperature range	-40 ... 85 °C

Protection class EN 60529, ISO20653	IP 68
-------------------------------------	-------

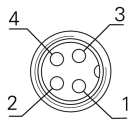
### compliance and approvals

EMC	EN 61000-6-2
	EN 61000-6-3
	EN 61326-2-3
UL listed	E217824

## Dimensional drawings (mm)



## 电气连接



- 1 +Vs
- 2 Sig +
- 3 -Vs
- 4 Sig -

## 订货代码 (配置选择参见网页)

	DLM	40	-	SO	.	###	.	T	P3	.	C4
<b>Product group</b>	Membrane force sensor										
<b>Size category</b>	40										
<b>Type</b>	Screw-on										
<b>Nominal force</b>	20 kN										
	5 kN										
	10 kN										
	20 kN										
<b>Measuring direction positive</b>	Tension										
<b>Output signal</b>	Nominal sensitivity 1.00 mV/V										
<b>Electrical connection</b>	M8, 4 pin, male										