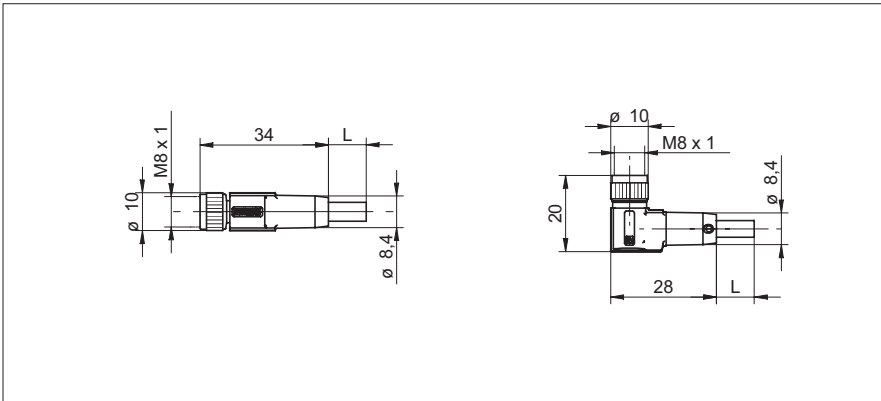


Connector M8 x 1 with attached PUR-cable, shielded

dimension drawing



- 3-wire, shielded
- shield connected with cap-nut
- PUR halogen-free
- suitable for flexible cable carriers
- self-locking cap nut
- UL listing file No. E315836

General data

Nominal current I_N	4 A
Nominal voltage U_N	60 V
Number of positions	3
Volume resistance	$\leq 5 \text{ m}\Omega$
Insulation resistance	$\geq 100 \text{ M}\Omega$
Length of cable	see listing
Stripping length of the free conductor end	50 mm
Ambient temperature (operation)	-25 ... 90 °C

General characteristics

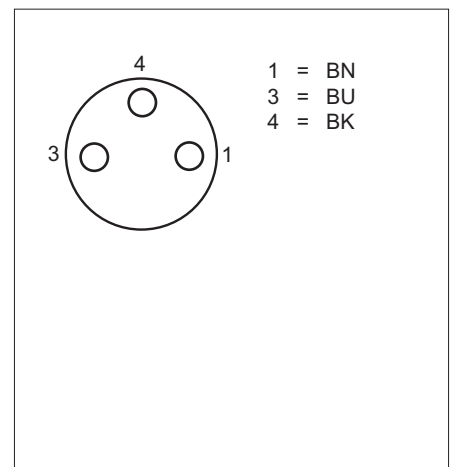
Coding	A-standard
Surge voltage category	II
Pollution degree	3
Degree of protection	IP65/IP67
Contact material	CuSn
Contact surface material	Ni/Au
Contact carrier material	TPU GF
Material of grip body	TPU, hardly inflammable, self-extinguishing
Material, knurls	Zinc die-cast, (nickel-plated)
Sealing material	NBR
Status display	no

Conductor data

Cable type	PUR halogen-free black, shielded
Conductor cross section	3x0,25 mm ²
AWG signal line	24
Conductor structure, signal line	32x0,10 mm
Core diameter including insulation	1,17 mm $\pm 0,02$ mm
Thickness, insulation	$\geq 0,21$ mm (Core insulation)
External cable diameter	4,35 mm $\pm 0,2$ mm
Wire colors	Brown, blue, black
External sheath, color	Black-gray RAL 7021

type	Mat.-No.	length
straight connectors		
ESG 32SH0500G	10125607	5 m
ESG 32SH1000G	10128462	10 m
angular connectors		
ESW 31SH0200G	11010527	2 m
ESW 31SH0500G	10128456	5 m
other lengths on request		

pin assignment



Connector M8 x 1 with attached PUR-cable, shielded

Conductor data (cont.)	
Nominal voltage, conductor	300 V
Conductor material	Bare Cu litz wires
Cable weight	26 kg/km
Smallest bending radius, movable installation	44 mm
Number of bending cycles	10'000'000
Bending radius	50 mm
Traversing path	10 m
Traversing rate	3 m/s
Acceleration	10 m/s ²
Ambient temperature (operation)	-40 ... 80 °C (cable, fixed installation) -25 ... 80 °C (cable, flexible installation)
Special properties	Flexible cable conduit capable Silicone-free Free of substances which would hinder coating with paint or varnish
Flame resistance	As per UL 758/1581 FT2 As per DIN EN 60332-2-2 (20 s)
Halogen-free	As per DIN VDE 0472 part 815
Resistance to oil	complying with DIN EN 60811-2-1
Other resistance	Highly resistant to acids, alkaline solutions and solvents hydrolysis and microbe resistant partly UV-resistant in accordance with DIN EN ISO 4892-2-A