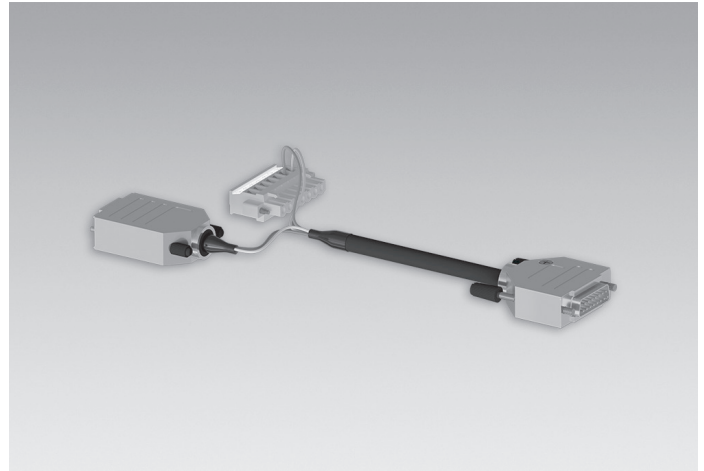


Programming cable for the HMG10P/PMG10P bus interfaces series

Article number: 11191145

Overview

- Adapter cable for programming the HMG10P/PMG10P bus interfaces series
- With D-SUB connector (male) for connection of encoders of HMG10/PMG10 bus interfaces series to the WLAN adapter Z-PA.SDL.1
- The encoder can be connected to the WLAN adapter in ONLINE or OFFLINE mode



Technical data

Technical data

Cable length	1 m
Connection	Connector D-SUB (male), 15-pin (Z-PA.SDL.1 WLAN adapter) Connector D-SUB (male), 9-pin (bus connecting box xMG10P) Terminal connector, 7-pin (terminal box xMG10P)

Scope of delivery

Connector D-SUB (male) 15-pin with connecting cable, connector D-SUB (male) 9-pin and 7-pin terminal connector

Suitable for

Z-PA.SDL.1 WLAN adapter, HMG10P/PMG10P

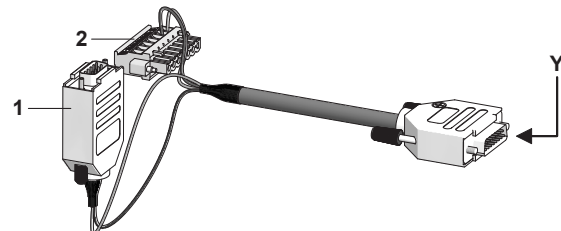
OFFLINE/ONLINE mode

For the **ONLINE mode** the terminal connector can be removed and the cable ends SA (green) and SB (yellow) can be connected directly to the connecting terminals of the encoder or connected to the existing cable ends (customer installation) in the machine/plant control cabinet. The voltage supply of the encoder is provided by the machine/plant control.

In **OFFLINE mode** the encoder is supplied via the D-SUB connector (female) in the bus connection box.

1 = Connector D-SUB (male) 9-pin for bus connection box

2 = Terminal connector 7-pin for terminal box for HMG10P/PMG10P bus interfaces series



Programming cable for the HMG10P/PMG10P bus interfaces series

Article number: 11191145

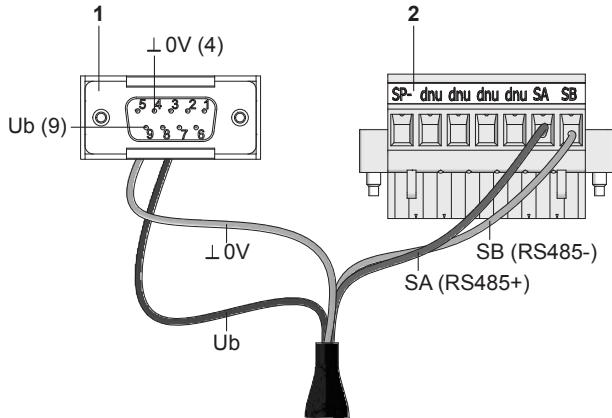
Terminal assignment

Connecting terminal for terminal box and D-SUB connector (male) for bus connection box for HMG10P/PMG10P bus interfaces series

1 = Connector D-SUB (male) 9-pin for bus connection box

2 = Terminal connector 7-pin for terminal box for HMG10P/PMG10P bus interfaces series

(Cable colour: Ub = brown, 0V = white, SA = green, SB = yellow)



View Y

D-SUB connector (male) for connection to the WLAN adapter

