

overview

- magneto-resistive
- NPN
- cable PUR 3 x 0,08, 2,5 m
- -40 ... 70 °C
- IP 67



Technical data

general data

type	magneto-resistive
version	C-slots
nominal operation point	4 mT
difference ON-OFF	0,5 ... 1,5 mT
output indicator	LED yellow

electrical data

switching frequency	< 200 kHz
response time / release time	< 0,0025 ms
output circuit	NPN
current consumption max. (no load)	12 mA
output current	< 200 mA
voltage supply range +Vs	6 ... 30 VDC
output function	normally open (NO)

electrical data

voltage drop Vd	< 1 VDC
reverse polarity protection	yes

mechanical data

cable output	lateral
connection types	cable PUR 3 x 0,08, 2,5 m
type	rectangular
depth	11 mm
width / diameter	3,7 mm
height / length	19,5 mm
housing material	PA66

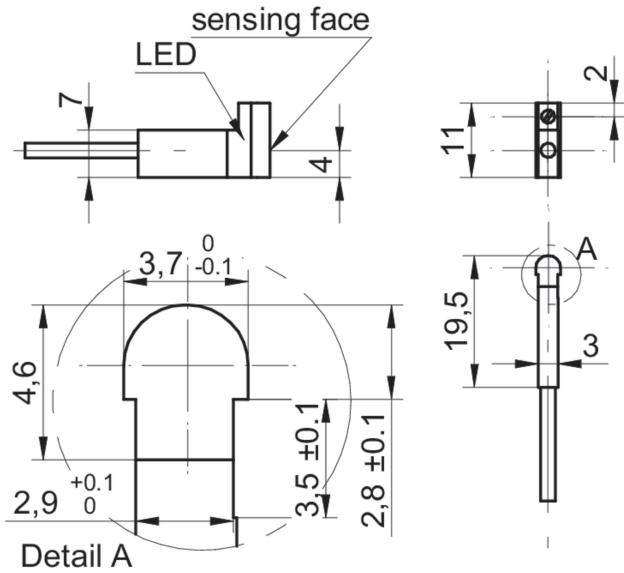
ambient conditions

operating temperature	-40 ... +70 °C
protection class	IP 67

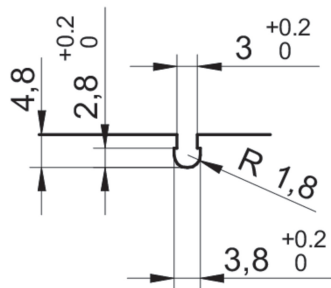
remarks

- Oil- and salt water climate resistant

dimension drawing



installation drawing



connection diagram

