

**overview**

- emitter
- through beam sensor
- 5 m
- pulsed red LED
- sleeve smooth (stainless steel)
- flylead connector M8 4 pin, L=200 mm
- -25 ... 50 °C
- IP 67



**technical data**

**general data**

type	through beam sensor
emitter / receiver	emitter
light source	pulsed red LED
actual range Sb	5 m
nominal range Sn	6 m
power on indication	LED green
wave length	644 nm
alignment optical axis	< 1,5°

**electrical data**

voltage supply range +Vs	10 ... 30 VDC
current consumption max. (no load)	20 mA (@ 30 VDC)
current consumption typ.	16 mA (@ 24 VDC)
reverse polarity protection	yes

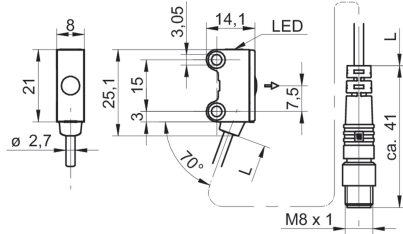
**mechanical data**

width / diameter	8 mm
height / length	25,1 mm
depth	14,1 mm
type	rectangular
mechanical mounting	sleeve smooth (stainless steel)
housing material	plastic (ASA, PMMA)
front (optics)	PMMA
connection types	flylead connector M8 4 pin, L=200 mm
cable characteristics	PVC / PVC 4 x 0,08 mm <sup>2</sup>

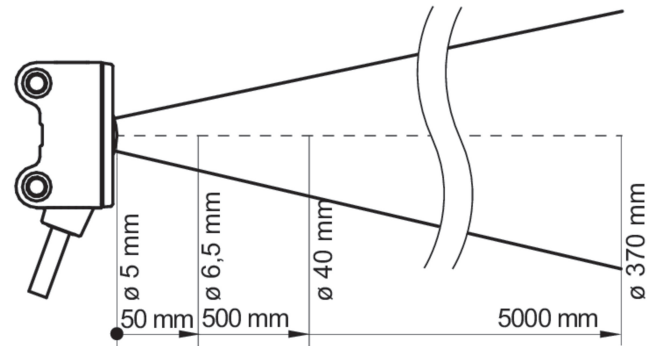
**ambient conditions**

operating temperature	-25 ... +50 °C
protection class	IP 67

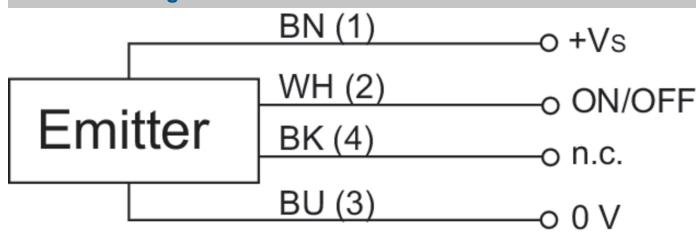
**dimension drawing**



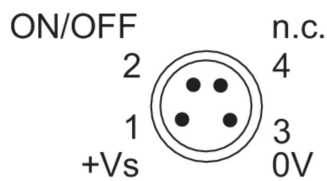
**beam characteristic (typically)**



**connection diagram**



**pin assignment**



**excess gain curve**

