

overview

- emitter
- through beam sensor
- 5 m
- pulsed red LED
- sleeve smooth (stainless steel)
- cable 4 pin, 2 m
- -25 ... 50 °C
- IP 67



technical data

general data

type	through beam sensor
emitter / receiver	emitter
light source	pulsed red LED
actual range Sb	5 m
nominal range Sn	6 m
power on indication	LED green
wave length	644 nm
alignment optical axis	< 1,5°

electrical data

voltage supply range +Vs	10 ... 30 VDC
current consumption max. (no load)	20 mA (@ 30 VDC)
current consumption typ.	16 mA (@ 24 VDC)
reverse polarity protection	yes

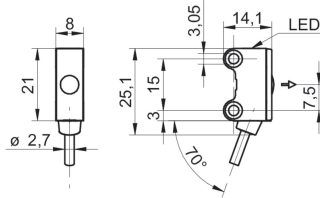
mechanical data

width / diameter	8 mm
height / length	25,1 mm
depth	14,1 mm
type	rectangular
mechanical mounting	sleeve smooth (stainless steel)
housing material	plastic (ASA, PMMA)
front (optics)	PMMA
connection types	cable 4 pin, 2 m
cable characteristics	PVC / PVC 4 x 0,08 mm ²

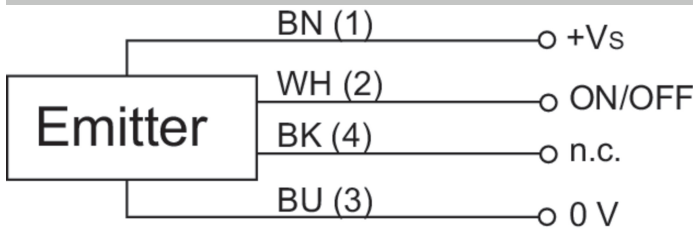
ambient conditions

operating temperature	-25 ... +50 °C
protection class	IP 67

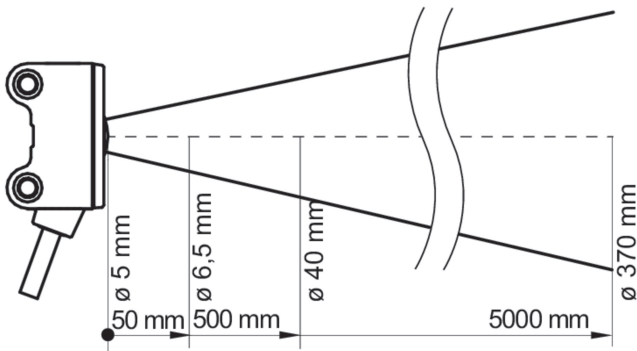
dimension drawing



connection diagram



beam characteristic (typically)



excess gain curve

