



Quick Start Guide
Housing Base Set B V4A VCXG.I r IP69K

Download latest camera software:
www.baumer.com/vision/software

Download latest technical documentation:
www.baumer.com/cameras/docs

Product Specification

Housing Base Set B V4A VCXG.I r IP69K

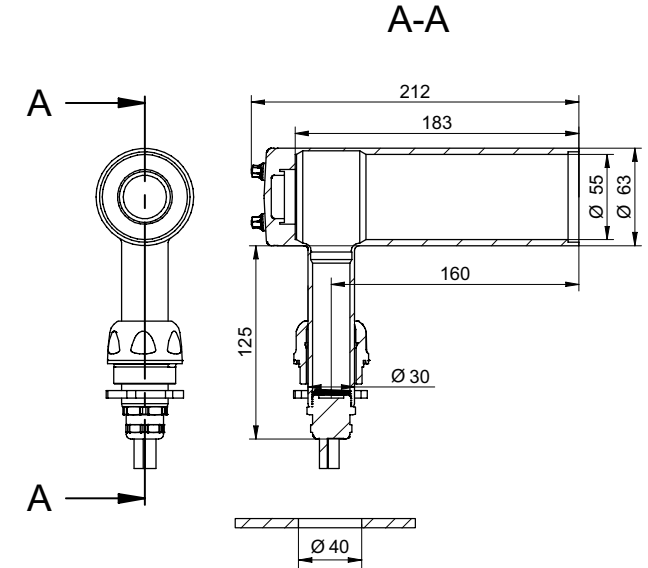
- For lenses up to 55 mm diameter (52 mm front lid) and VCXG.I (.XT) cameras
- Stainless steel 1.4404
- Compact size
- Robust construction
- Vibration-proof mounting
- IP 69K rating
- Design according to EHEDG guidelines: Hygienic design with 3 mm radii (wash-down design) and hygienic surface (roughness < 0.8 µm, electropolished)
- Excellent heat dissipation

Caution

The suitability of the product for the users application **with its specific conditions of practice has to be tested and guaranteed by the user himself.**

For special applications, please contact us in writing. We reserve the right to make technical changes.

Dimensions



Notice
Maximum lens length = 80 mm

Conformity / Environmental Requirements

Conformity



The products complies with the recommendation of the European Union concerning RoHS Rules.

Environmental Requirements

Environmental Requirements	
Storage temperature	-15 °C (-5 °F) ... 70 °C (158 °F)
Operating temperature	-15 °C (-5 °F) ... 70 °C (158 °F)
Humidity	10 % ... 90 % Non-condensing

Ambient temperature above 50 °C (122 °F) requires heat dissipation measures.

The housing improves the temperature management for the camera in use, the environmental temperature may be 5 K higher than in applications without housing.

Further Information

For further information on our products visit www.baumer.com
For technical issues, please contact our technical support:
support_cameras@baumer.com · Phone +49 (0)3528 4386-0 · Fax +49 (0)3528 4386-86
© Baumer Optronic GmbH · Badstrasse 30 · DE-01454 Radeberg, Germany

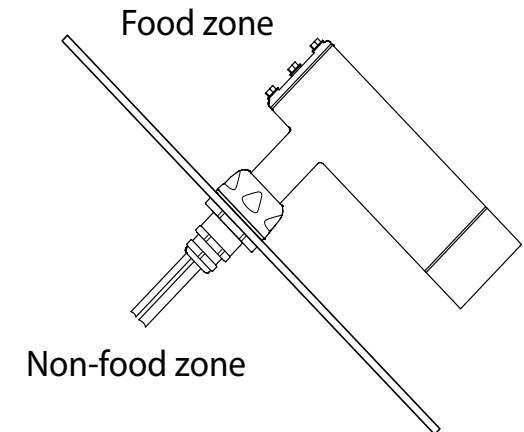
Technical data has been fully checked, but accuracy of printed matter not guaranteed.

Safety Precautions

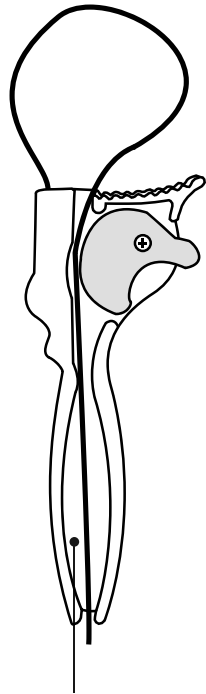
Caution

- Inappropriate handling of the enclosure or any parts thereof may lead to a leaky enclosure and may cause damage to the enclosed camera. Baumer can take no liability for damages caused by improper handling.
- The products have been designed for a typical machine vision application where the camera set-up is done once in order to build an application. Frequent disassembly of the enclosure requires all seals and gaskets to be renewed.
- Baumer uses the best possible sealing materials for typical applications. However every application is different - please check if our sealing material is durable under the use intended.
- Do not assemble the enclosure if any parts are damaged – this counts especially for the seals and sealing flanges of the enclosure!
- The enclosure front / rear lid is properly tightened when the seals are flush with the enclosure. Do not over-tighten the lids in a way that the seal protude over the enclosure walls.

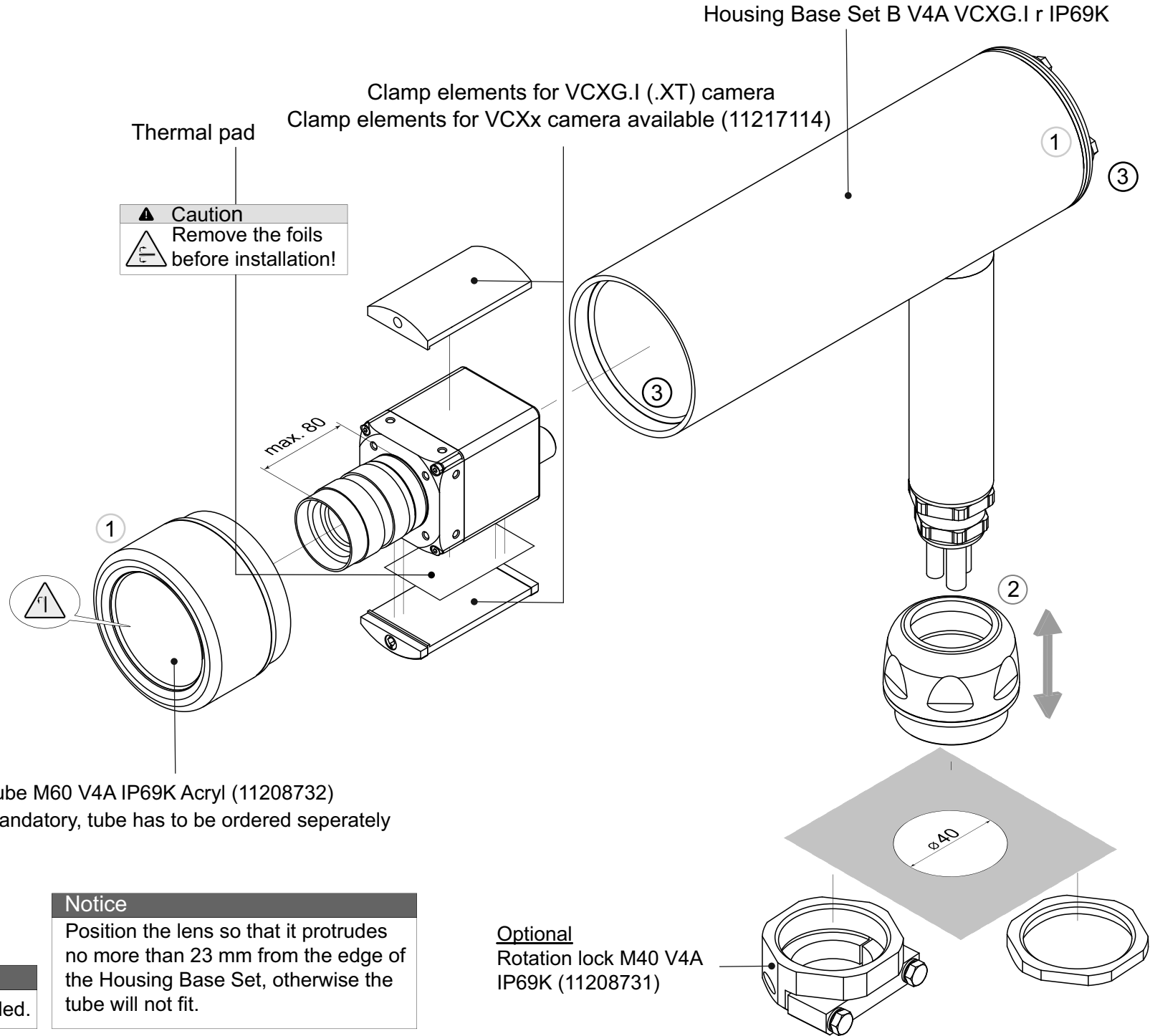
Mounting and cable exit



- M40 hygiene cable gland with counter nut (optional: Rotation lock M40 V4A IP69K)
- Closed rear wall
- M25 cable gland with closed insert on side exit (several cable possible, max. 16.5 mm connector diameter)



Optional Mounting Tool (11208719)



Notice
Camera, lens and cables not included.