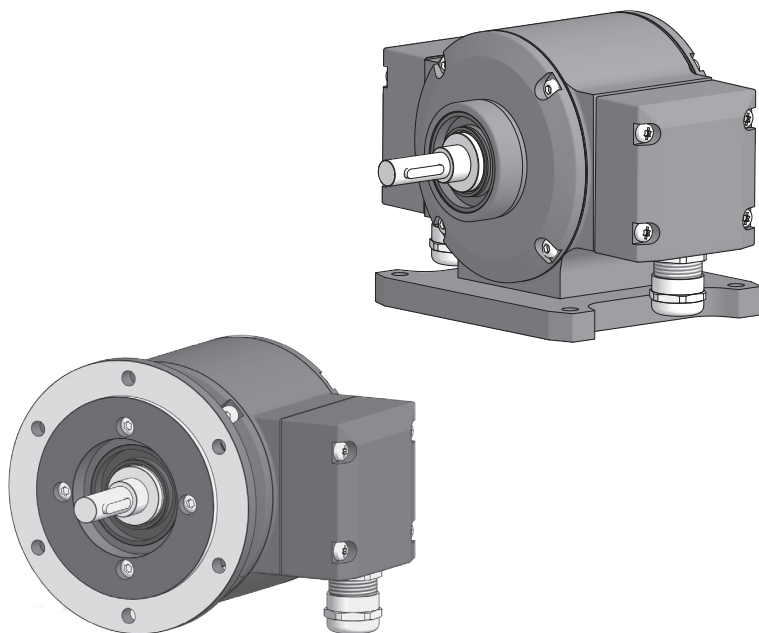


Mounting and operating instructions



PMG10 • PMG10P incremental Incremental encoder with magnetic sensing

TABLE OF CONTENTS

1. IMPORTANT NOTES	4
1.1 Symbol guide	4
1.2 Intended use	4
1.3 Exclusion from liability	4
1.4 Maintenance and service life	5
1.5 Approvals and warranty	5
1.6 Operating and storage temperature range	5
1.7 Disposal (environmental protection)	5
2. SAFETY AND ATTENTION INSTRUCTIONS	6
2.1 Safety instructions	6
2.2 Attention instructions for mounting and operation	7
3. PREPARATION	8
3.1 Scope of delivery	8
3.2 Required accessory for mounting (not included in scope of delivery)	9
3.3 Required tools (not included in scope of delivery)	9
4. MOUNTING	10
4.1 EURO flange B10	10
4.1.1 Mounting the spring disk coupling to the device	10
4.1.2 Mounting to the drive shaft	10
4.1.3 Mounting the spring disk coupling to the drive shaft	11
4.2 Mounting with housing foot B3	12
4.2.1 Mounting the spring disk coupling to the device	12
4.2.2 Mounting to the drive shaft	12
4.2.3 Mounting the housing foot and the spring disk coupling to the drive shaft	13
4.3 Maximum permissible mounting tolerance when the Baumer Hübner K 35 spring disk coupling is used	14
4.4 Note when using a jaw-type coupling (for example „ROTEX®“)	15

5. ELECTRICAL CONNECTION	16
5.1 Terminal significance	16
5.2 Output signals	16
5.3 Trigger level	17
5.4 Programming interface (only PMG10P)	17
5.5 LED function displays	17
5.6 Speed switch (option) - switching characteristics	18
5.7 Cable connection	19
5.8 Assignment connecting terminal	20
5.9 Assignment flange connector M23	22
6. ACCESSORIES	25
6.1 Z-PA.SDL.1 <i>WLAN adapter</i> : Programming device for PMG10P	25
6.2 Sensor cable	25
7. DIMENSIONS	26
7.1 EURO flange B12	26
7.2 EURO flange B10 and flange connector M23	27
7.3 Housing foot B3 and terminal box	28
8. DISMOUNTING	29
8.1 EURO flange B10	29
8.2 Housing foot B3	30
9. TECHNICAL DATA	31
9.1 Technical data - electrical ratings	31
9.2 Technical data - electrical ratings (speed switch)	31
9.3 Technical data - mechanical design	32

1. IMPORTANT NOTES

1.1 Symbol guide



Warning

Disregarding could result in serious injury, death or damage to property



Attention

Disregarding could result in damage to property or damage/malfunction of the device



Information

Additional information and recommendations

1.2 Intended use

The incremental encoder PMG10/PMG10P is a precision measurement device for the acquisition of speed/position information for the control of drive units and the provision of electronic output signals for downstream devices.

The device must not be used for any other purpose. The function of the device is described in this mounting instruction. The customer must check the suitability for the purpose intended.

Mounting and selection must be executed by authorized and qualified personnel. Mounting, electrical commissioning or any other work with the device or system is to be performed by appropriately qualified staff only.

Do not put the device into service if there is any visible evidence of damage.

Do not operate the device beyond the limit values stated in this mounting instruction.

Any risk of personal injury, damage of the system or company equipment due to failure or malfunction of the device must be eliminated by corresponding safety measures.



Warning

Disregarding intended use could result in serious injury or damage to property.

1.3 Exclusion from liability

The manufacturer is not liable for any damage to persons or property resulting from unintended use of the device.

1.4 Maintenance and service life

The device may be only opened as described in this instruction. Repair or maintenance work that requires opening the device completely must be carried out by the manufacturer. Alterations of the device are not permitted.

The expected service life of the device depends on the ball bearings, which are equipped with a permanent lubrication.

In the event of queries or subsequent deliveries, the data on the device type label must be quoted, especially the type designation and the serial number.

1.5 Approvals and warranty

EU Declaration of Conformity meeting to the European Directives.

We grant a 2-year warranty in accordance with the regulations of the Central Association of the German Electrical Industry (ZVEI).



warranty seal

Damaging the warranty seal on the device invalidates warranty.

1.6 Operating and storage temperature range

The storage temperature range of the device is between -15 °C and $+70\text{ °C}$ (caused by packing).

The operating temperature range of the device is between -40 °C and $+95\text{ °C}$, measured at the housing.

1.7 Disposal (environmental protection)



Do not dispose of electrical and electronic equipment in household waste. The product contains valuable raw materials for recycling. Whenever possible, waste electrical and electronic equipment should be disposed locally at the authorized collection point. If necessary, Baumer gives customers the opportunity to dispose of Baumer products professionally. For further information see www.baumer.com.

2. SAFETY AND ATTENTION INSTRUCTIONS

2.1 Safety instructions



Explosion risk

Spark formation can cause a fire or an explosion.

- » Do not use the device in areas with explosive and/or highly inflammable materials. They may explode and/or catch fire by possible spark formation.



Risk of serious injuries due to rotating shafts

Hair and clothes may become tangled in rotating shafts. Touching the rotating parts can cause extremely serious injuries.

- » Before all work switch off all voltage supplies and ensure machinery is stationary.
- » Prevent reconnection voltage supply by third parties.



Risk of serious injuries due to consequential damages

Plants can be deregulated due to malfunction or faulty signals of the device.

- » Damage caused by faulty operation or by a malfunction of the device must be eliminated by corresponding safety measures.



Risk of burns due to formation of heat

The device heats up at higher speed so there is a serious risk of burning shortly after the machine has been turned off.

- » Examine carefully whether the device overheats. Wear suitable gloves if necessary.

2.2 Attention instructions for mounting and operation



Risk of destruction due to electrostatic charge

Electronic parts contained in the device are sensitive to high voltages.

- » Do not touch plug contacts or electronic components.
- » Protect output terminals against external voltages.
- » Do not exceed maximum voltage supply.



Risk of destruction due to mechanical overload

Rigid mounting may give rise to constraining forces.

- » Never restrict the freedom of movement of the device. The mounting instructions must be followed.
- » It is essential that the specified clearances and/or angles are observed.



Risk of destruction due to mechanical shock

Violent shocks, e. g. due to hammer impacts, can lead to the destruction of the sensing system.

- » Never use force. Mounting is simple when correct procedure is followed.
- » Use suitable puller for dismounting.



Risk of destruction due to contamination

Dirt penetrating inside the device can cause short circuits and damage the sensing system.

- » Absolute cleanliness must be maintained when carrying out any work on the device.
- » Never allow lubricants to penetrate the device.



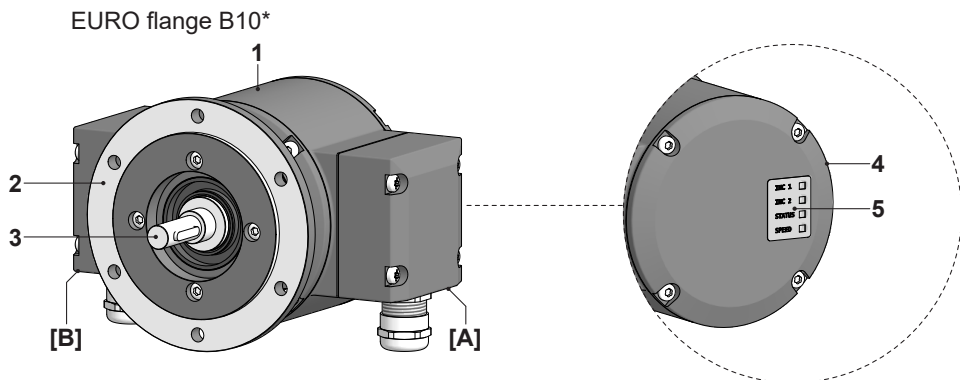
Risk of destruction due to adhesive fluids

Adhesive fluids can damage the sensing system and the ball bearings. Dismounting a device, secured to a shaft by adhesive may lead to the destruction of the device.

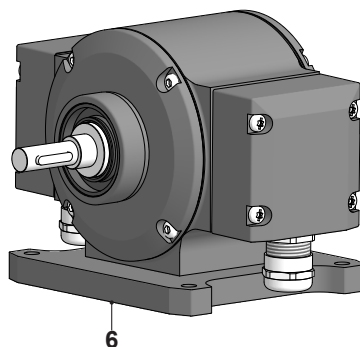
- » Do not use adhesive fluids for fixing.

3. PREPARATION

3.1 Scope of delivery



Housing foot B3*



- 1 Housing
- 2 EURO flange B10*
- 3 Solid shaft with key
- 4 Bearing shield
- 5 LED function indicators
- 6 Housing foot B3*

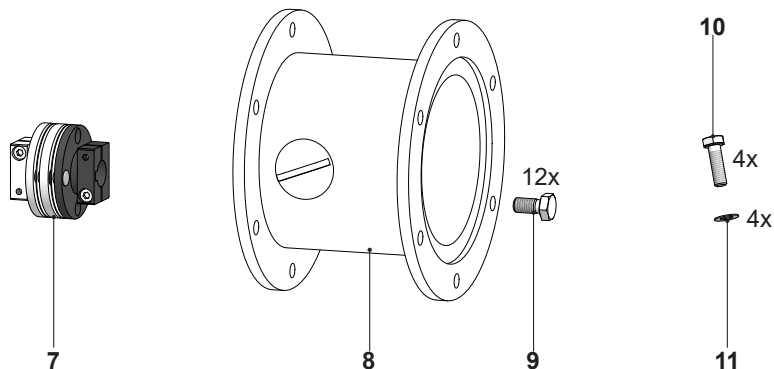
Radial terminal boxes* (see *section 5*):

- [A] Incremental output 1 (option)
- [B] Incremental output 2

* Depending on version

3.2 Required accessory for mounting (not included in scope of delivery)

i Connecting cables are required for the electrical connection. Details see *section 6.2, page 25*.



7 Spring disk coupling K 35,
available as accessory, see *section 4.3, page 14*.

For mounting with EURO flange B10

8 Installation fitting, customized




9 Fixing screw M6x16 mm for installation fitting, ISO 4017

For mounting with housing foot B3

10 Fixing screw M6x20 mm for housing foot, ISO 4017

11 Washer B6 for fixing the housing foot, DIN 137

3.3 Required tools (not included in scope of delivery)

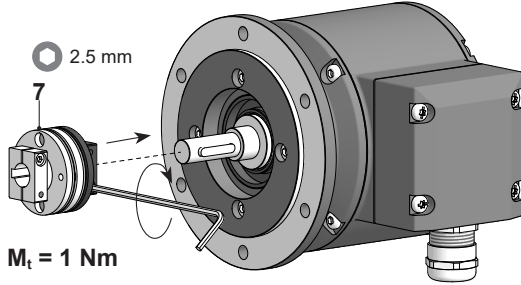
-  2.5 mm
-  10 und 22 mm
-  TX 10, TX 20

4. MOUNTING

4.1 EURO flange B10

4.1.1 Mounting the spring disk coupling to the device

We recommend using the Baumer Hübner spring disk coupling K 35, see *section 4.3, page 14*, available as accessory. When other couplings are used pay attention to manufacturer's notes.

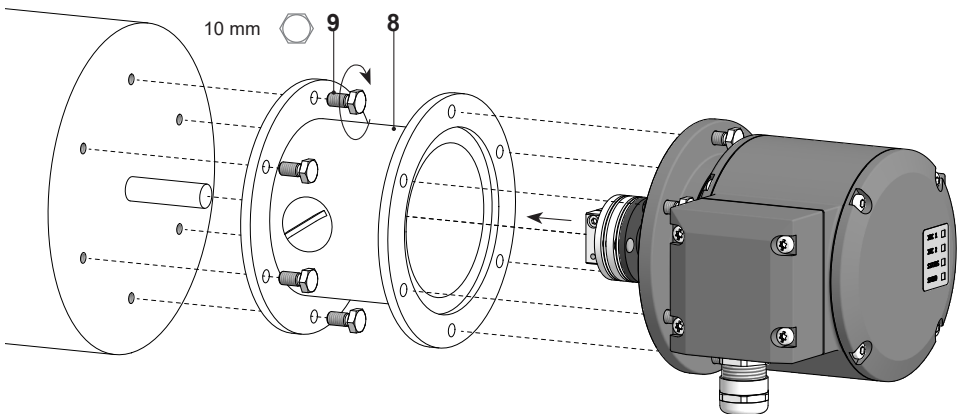


4.1.2 Mounting to the drive shaft

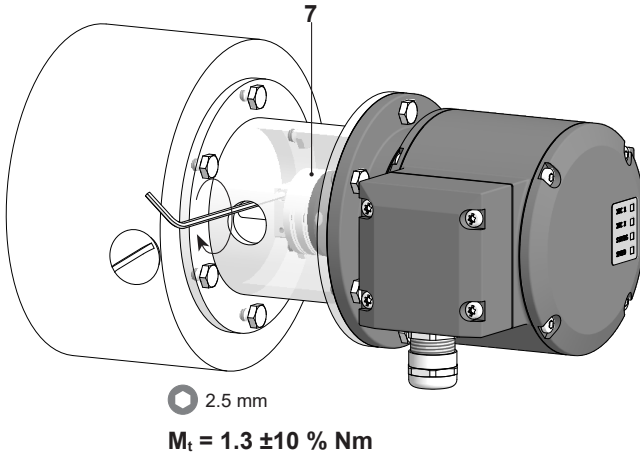
☞ **Service life restrictions and angle error by runouts**
 High runout of the drive shaft can cause device angle error.
 High runout of the drive shaft can cause vibrations, which can shorten the service life of the device.

- » Lubricate drive shaft!
- » Minimize drive shaft runout ($\leq 0.2 \text{ mm}$; $\leq 0.03 \text{ mm}$ recommended).

ⓘ The device must be mounted with cable connection facing downward and not exposed to water.



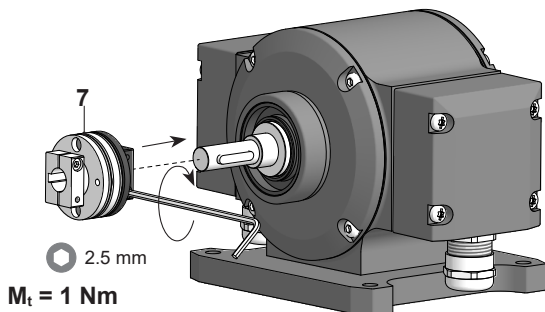
4.1.3 Mounting the spring disk coupling to the drive shaft



4.2 Housing foot B3

4.2.1 Mounting the spring disk coupling to the device

We recommend using the Baumer Hübner spring disk coupling K 35, see *section 4.3, page 14*, available as accessory. When other couplings are used pay attention to manufacturer's notes.



4.2.2 Mounting to the drive shaft



Service life restrictions and angle error by runouts

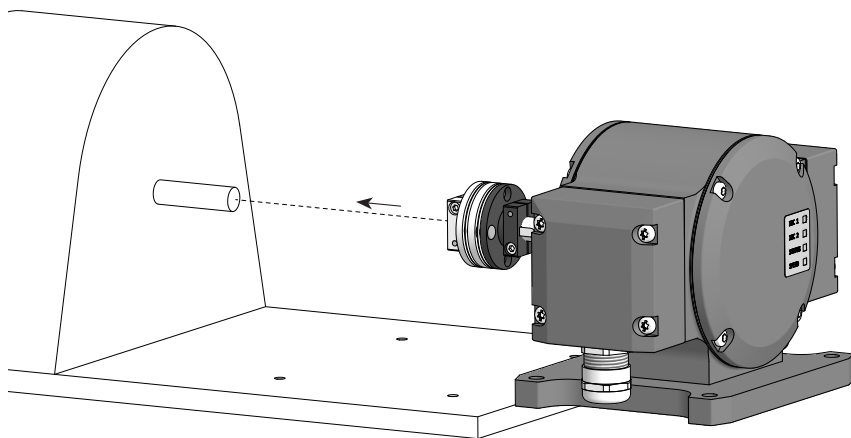
High runout of the drive shaft can cause device angle error.

High runout of the drive shaft can cause vibrations, which can shorten the service life of the device.

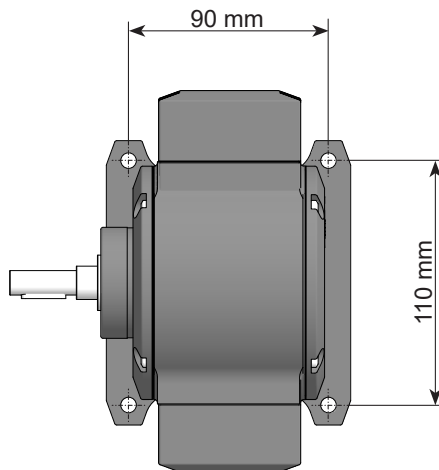
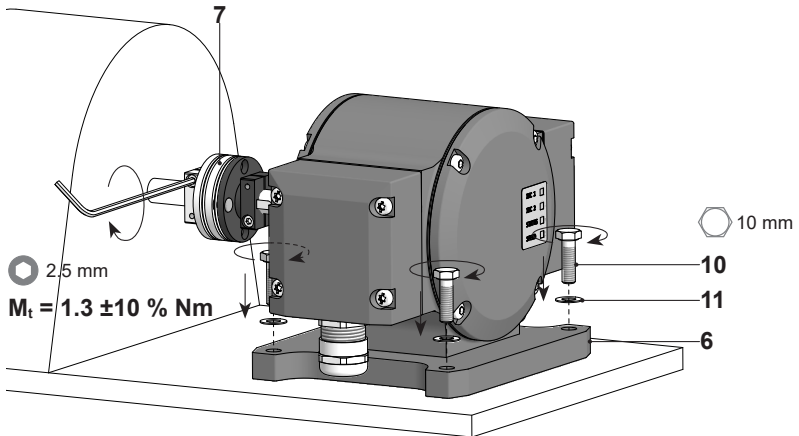
- » Lubricate drive shaft!
- » Minimize drive shaft runout ($\leq 0.2 \text{ mm}$; $\leq 0.03 \text{ mm}$ recommended).



The device must be mounted with cable connection facing downward and not exposed to water.



4.2.3 Mounting the housing foot and the spring disk coupling to the drive shaft



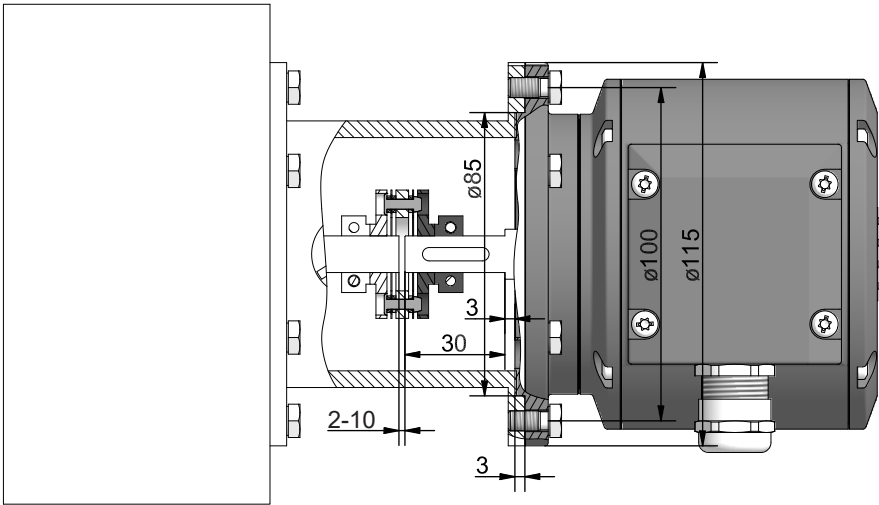
4.3 Maximum permissible mounting tolerance when the Baumer Hübner K 35 spring disk coupling is used

Devices with a solid shaft should be driven through the Baumer Hübner K 35 spring disk coupling (accessory), that can be pushed onto the shaft without axial loading.

i The figure below shows the device with EURO flange B10, the same maximum permissible mounting tolerances are valid with housing foot B3.

☞ The device must be mounted on the drive with the least possible angular error and parallel misalignment.

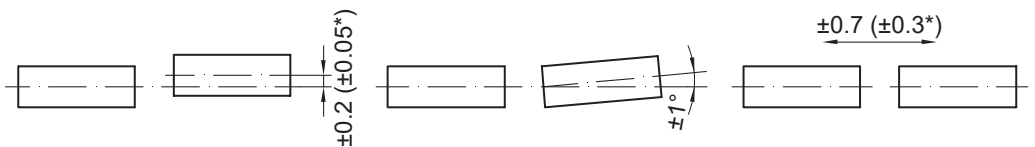
☞ Risk of damaging the ball bearings
Coupling components must not be driven onto the shaft with improper force (e. g. hammer impacts), because of the risk of damaging the ball bearings.



Admissible parallel misalignment

Admissible angular error

Admissible axial movement



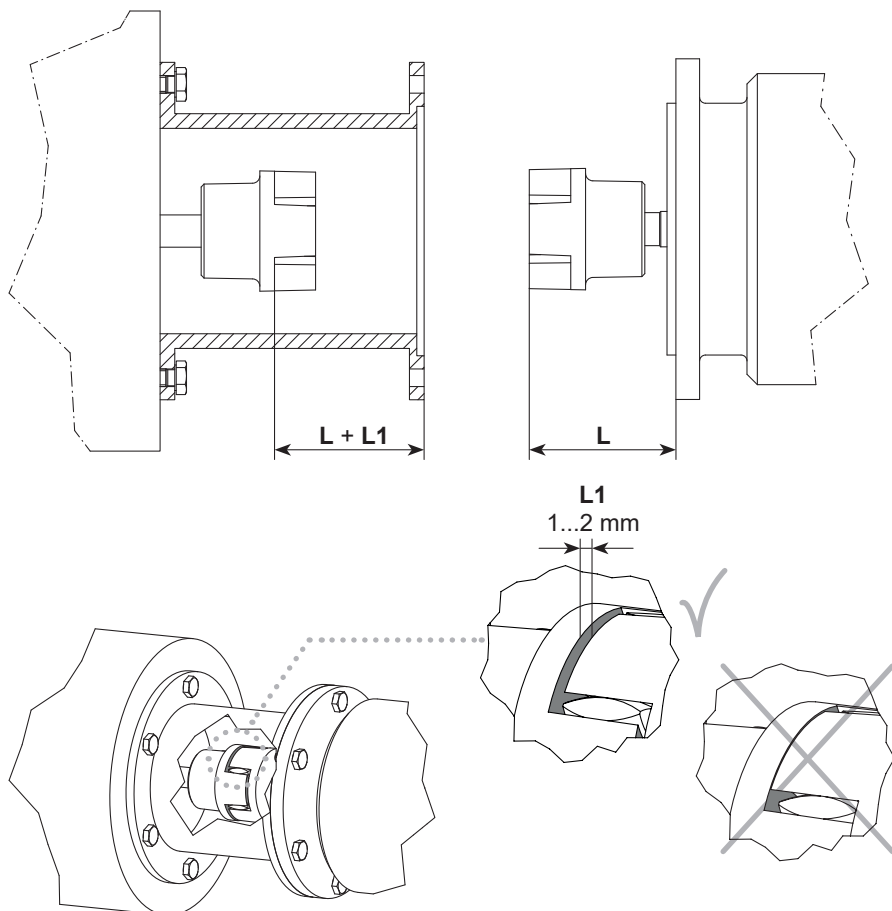
* With insulated hub

All dimensions in millimeters, unless otherwise stated.

4.4 Note when using a jaw-type coupling (for example „ROTEX®“)

✎ Incorrect mounting of the jaw-type coupling can damage the device. Avoid blocking of both coupling halves (claws pressed together). The device shaft must not be subjected to direct axial shock.

- » Use a depth gauge to find and observe the correct distances (**L**, **L1**) for the device with EURO flange B10, see below.
- » For the device with housing foot B3 observe the distance **L1**.



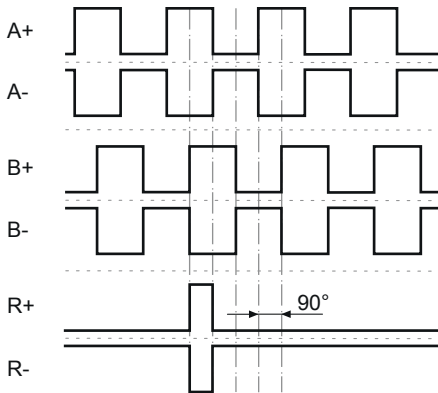
5. ELECTRICAL CONNECTION

5.1 Terminal significance

Ub	Voltage supply
0V	Ground
A+	Output signal channel 1
A-	Output signal channel 1 inverted
B+	Output signal channel 2 (offset by 90° to channel 1)
B-	Output signal channel 2 inverted
R+	Zero pulse (reference signal)
R-	Zero pulse inverted
nE+	System OK+ / error output
nE-	System OK- / error output inverted
SP+ ¹⁾	DSL_OUT1 / speed switch (open collector)
SP- ¹⁾	DSL_OUT2 / speed switch (0V)
SA ²⁾	RS485+ / programming interface
SB ²⁾	RS485- / programming interface
dnu	Do not use

5.2 Output signals

Positive rotation direction when looking at the flange (see dimensions)



¹⁾ Speed switch (option)

²⁾ Programming interface (only PMG10P)

5.3 Trigger level

Trigger level:	TTL/HTL ($V_{in} = V_{out}$)
High / Low:	$\geq 2.5 \text{ V} / \leq 0.5 \text{ V}$ (TTL) $\geq U_b - 3 \text{ V} / \leq 1.5 \text{ V}$ (HTL)
Transmission length:	$\leq 550 \text{ m}$ at 100 kHz (TTL) $\leq 350 \text{ m}$ at 100 kHz (HTL)
Output frequency:	$\leq 600 \text{ kHz}$ (TTL) $\leq 350 \text{ kHz}$ (HTL)

5.4 Programming interface (only PMG10P)

Via connection SA and SB, encoder parameters such as the number of pulses for the incremental outputs 1 and 2 and/or the switch-off and switch-on speeds can be changed and read out. With the Z-PA.SDL.1 *WLAN adapter*, available as accessory, see [section 6.1](#), the encoder can be accessed via a web browser.

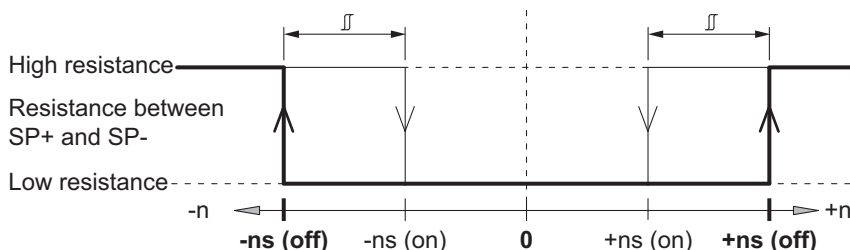
5.5 LED function displays

LED	red	green
INC1 (incremental output 1)	Undervoltage, overload, over-temperature	OK
INC2 (incremental output 2)	Undervoltage, overload, over-temperature	OK
Status	Internal error	OK
Speed	Speed higher switching speed (overspeed)	Speed lower switching speed

5.6 Switching characteristics – speed switch (option)

The factory setting of the switching speed for the PMG10P is 6000 rpm. The PMG10 without programming interface is delivered with the individually ordered fixed switching speed.

Event	State of the speed switch output
During initialisation	High resistance (overspeed)
After initialisation and speed $\leq -n_s$ (off)	High resistance (overspeed)
$-n_s$ (off) < speed $\leq -n_s$ (on)	State unchanged Low resistance (no overspeed) after initialisation if the device is rotating between the switching range during initialisation.
$-n_s$ (on) < speed < $+n_s$ (on)	Low resistance (no overspeed)
$+n_s$ (on) \leq speed < $+n_s$ (off)	State unchanged Low resistance (no overspeed) after initialisation if the device is rotating between the switching range during initialisation.
$+n_s$ (off) \leq speed	High resistance (overspeed)



n = Speed

+ns (off) = Switch-off speed at shaft rotation in positive rotating direction*

-ns (off) = Switch-off speed at shaft rotation in negative rotating direction*

Switching hysteresis Δ : 10...100 % (factory setting = 10 % min. 1 Digit)

+ns (on) = Switch-on speed at shaft rotation in positive rotating direction*

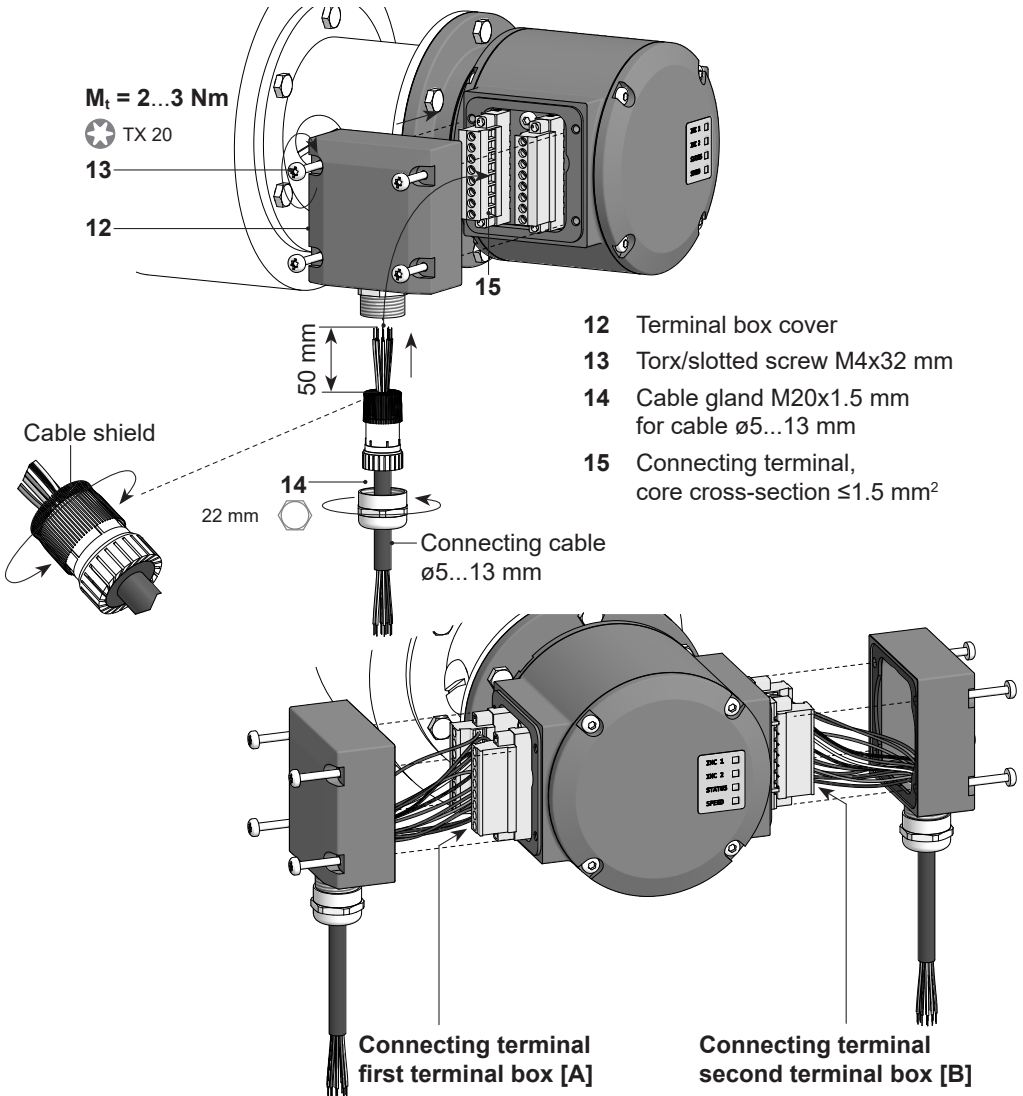
-ns (on) = Switch-on speed at shaft rotation in negative rotating direction*

* See section 7, page 26.

5.7 Cable connection

☞ To ensure the specified protection of the device the correct cable diameter must be used.

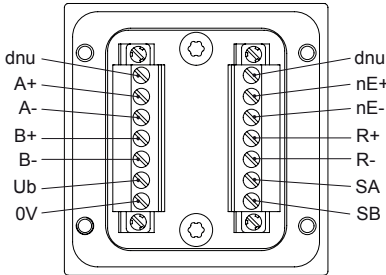
Connecting cables are not in scope of delivery and can be ordered separately as accessory, see *section 6.2, page 25*.



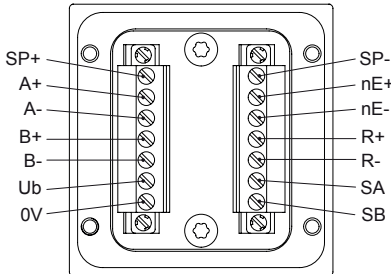
5.8 Assignment connecting terminal

☞ Do not connect voltage supply to outputs! Danger of damage!
 Please, beware of possible voltage drop in long cable leads (inputs and outputs)!

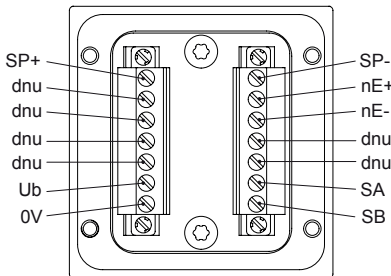
1x terminal box - View B (see dimensions)
Incremental output II (connection reference -P)



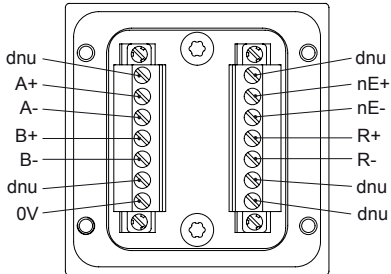
1x terminal box - View B (see dimensions)
Incremental output II + speed switch (connection reference -P)



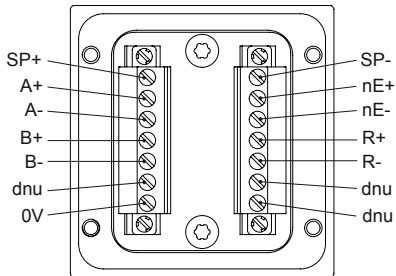
1x terminal box - View B (see dimensions)
Speed switch (connection reference -P)



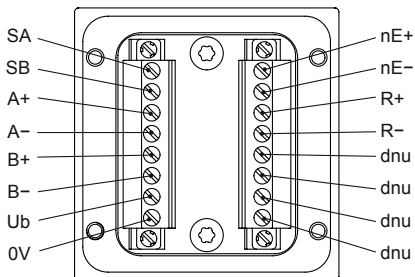
2x terminal box - View B (see dimensions)
Incremental output II (connection reference -M)



2x terminal box - View B (see dimensions)
Incremental output II + speed switch (connection reference -M)



2x terminal box - View A (see dimensions)
Incremental output I (connection reference -M)



5.9 Assignment flange connector M23



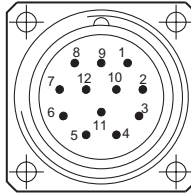
Do not connect voltage supply to outputs! Danger of damage!

Please, beware of possible voltage drop in long cable leads (inputs and outputs)!

1x flange connector M23 - View B (see dimensions)

Incremental output II (connection reference -H)

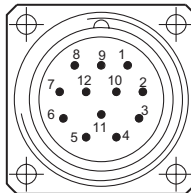
Pin	Assignment
1	B-
2	SB
3	R+
4	R-
5	A+
6	A-
7	dnu
8	B+
9	dnu
10	0 V
11	SA
12	Ub



1x flange connector M23 - View B (see dimensions)

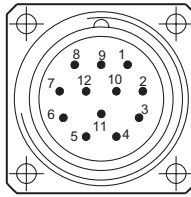
Incremental output II + speed switch (connection reference -H)

Pin	Assignment
1	B-
2	SB
3	R+
4	R-
5	A+
6	A-
7	SP+
8	B+
9	SP-
10	0 V
11	SA
12	Ub

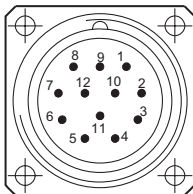


1x flange connector M23 - View B (see dimensions)**Speed switch** (connection reference -H)

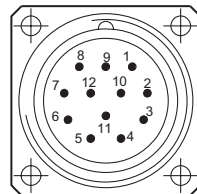
Pin	Assignment
1	dnu
2	SB
3	dnu
4	dnu
5	dnu
6	dnu
7	SP+
8	dnu
9	SP-
10	0 V
11	SA
12	Ub

**2x flange connector M23 - View B / A** (see dimensions)**Incremental output II / Incremental output I** (connection reference -L)

Pin	View B/Inc.-outp. II
1	B-
2	dnu
3	R+
4	R-
5	A+
6	A-
7	dnu
8	B+
9	dnu
10	0 V
11	dnu
12	dnu

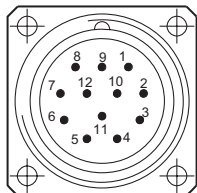


Pin	View A/Inc.-outp. I
1	B-
2	dnu
3	R+
4	R-
5	A+
6	A-
7	SA
8	B+
9	SB
10	0 V
11	dnu
12	Ub

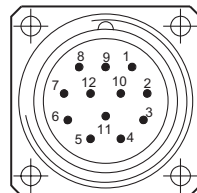


2x flange connector M23 - View B / A (see dimensions)
Incremental output II + speed switch / Incremental output I
 (connection reference -L)

Pin	View B/Inc.-outp. II + DSL
1	B-
2	dnu
3	R+
4	R-
5	A+
6	A-
7	SP+
8	B+
9	SP-
10	0 V
11	dnu
12	dnu



Pin	View A/Inc.-outp. I
1	B-
2	dnu
3	R+
4	R-
5	A+
6	A-
7	SA
8	B+
9	SB
10	0 V
11	dnu
12	Ub



6. ACCESSORIES

6.1 Z-PA.SDL.1 *WLAN adapter*: Programming device for PMG10P

The Z-PA.SDL.1 *WLAN adapter* is a programming device for programming and monitoring HMG10P/PMG10P series encoders.

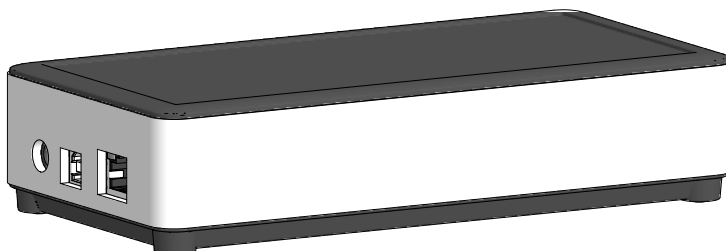
The following encoder parameters can be parameterized (depending on the version of the encoder):

- Incremental output 1 and 2 (number of pulses per revolution)
- Switch-off and switch-on speeds

The programming device can be configured and operated via a web browser.

i A detailed description of all available functions can be found in the mounting and operating instructions of the *WLAN adapter*.

	<u>Part number</u>
Z-PA.SDL.1 <i>WLAN adapter</i>	11190106



6.2 Sensor cable

HEK 8 - Sensor cable with 10 wires for encoder

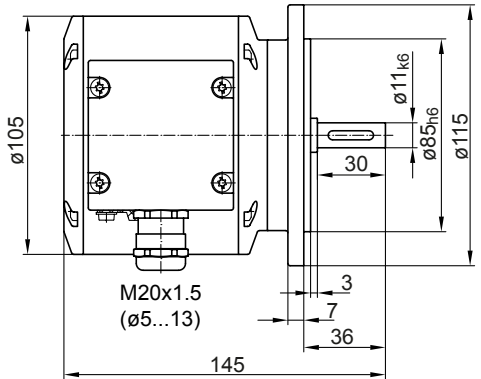
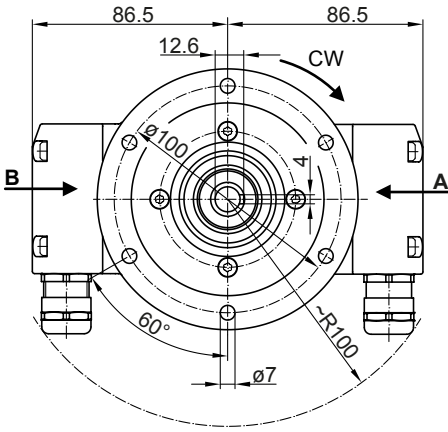
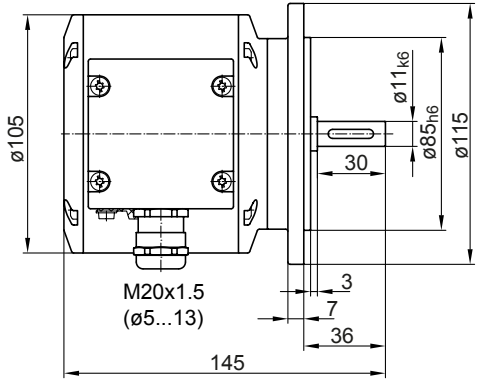
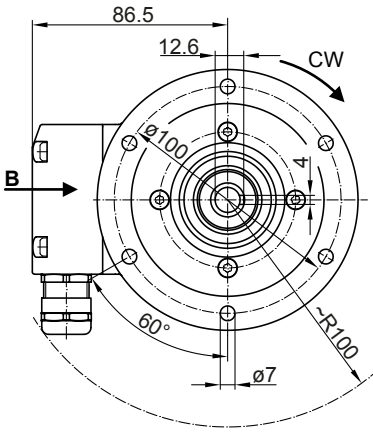
2 wires 0,5 mm² (power supply), 4 twisted pair signal wires 0,25 mm² (signal), cable length on request.

HEK 17 - Sensor cable with 16 wires for encoder

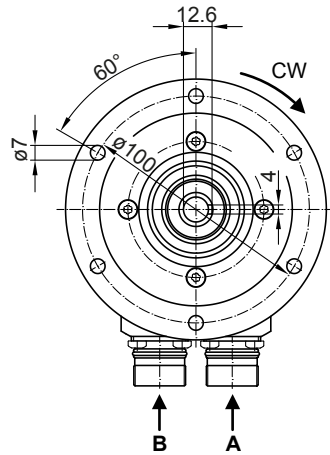
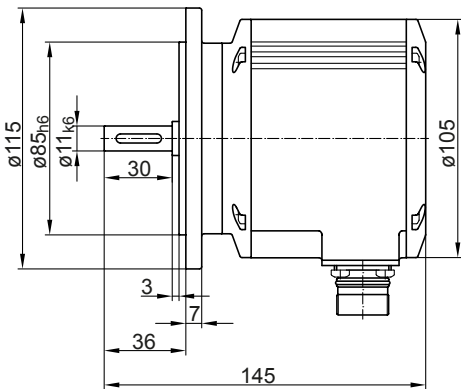
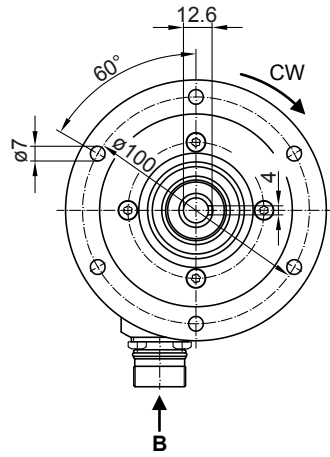
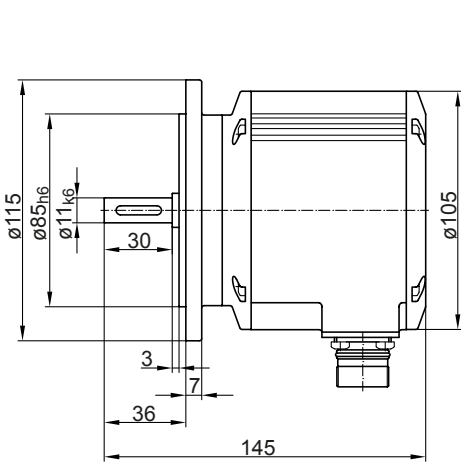
2 wires 0,5 mm² (power supply), 3 twisted pair signal wires 0,14 mm² (signal), 4 wires 0,14 mm² (signal), 4 wires 0,22 mm² (data), cable length on request.

7. DIMENSIONS

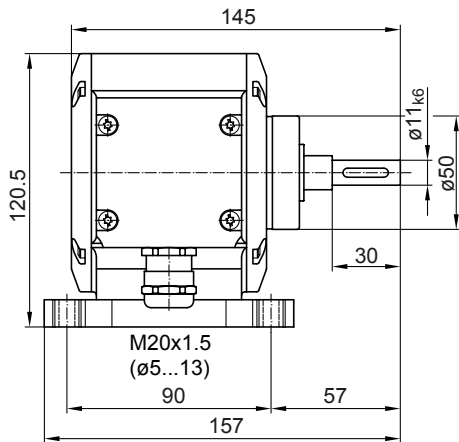
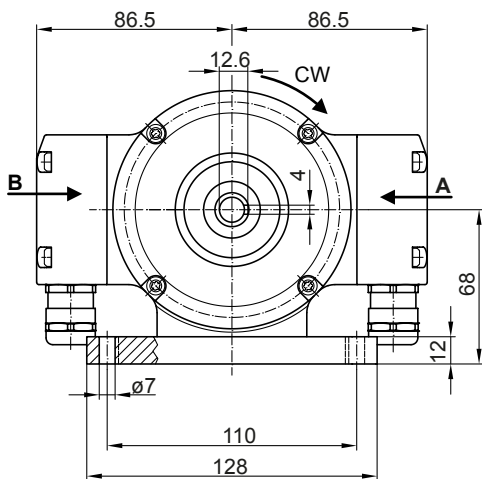
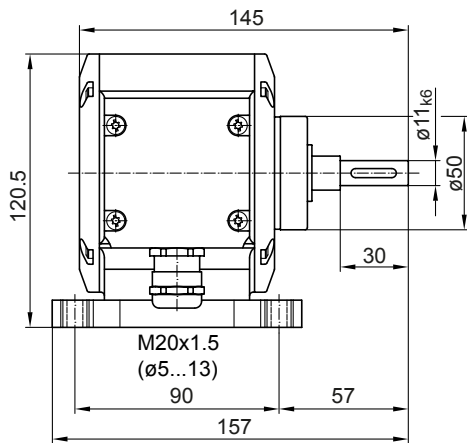
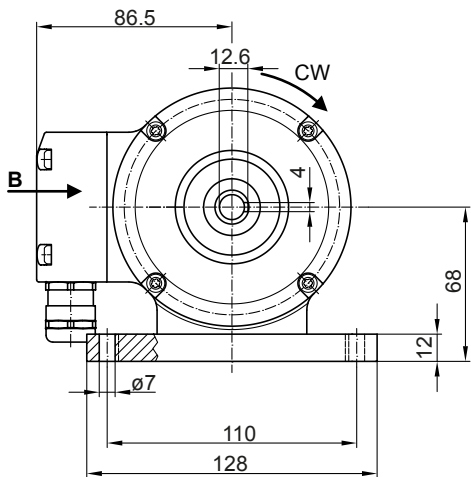
7.1 EURO flange B12 and terminal box



7.2 EURO flange B10 and flange connector M23



7.3 Housing foot B3 and terminal box



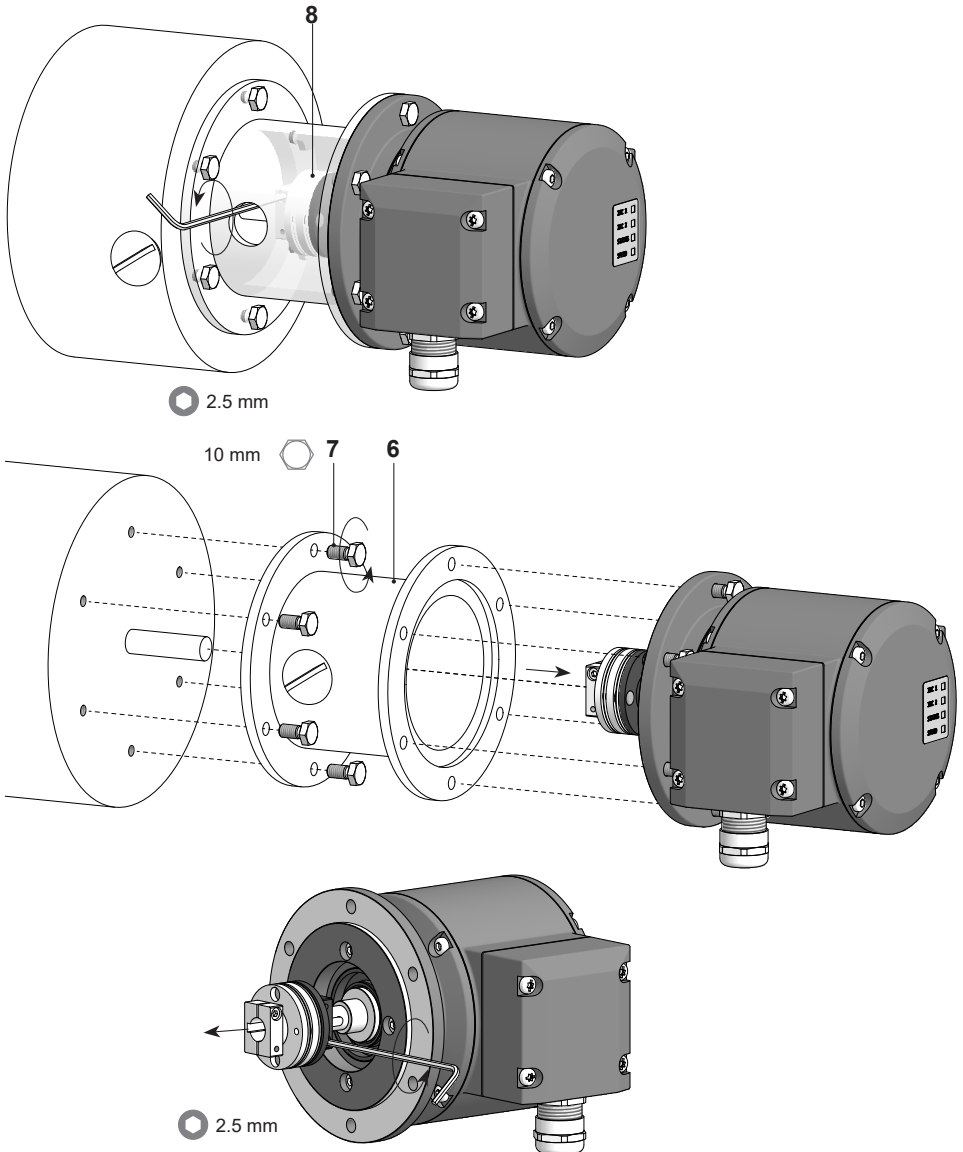
8. DISMOUNTING



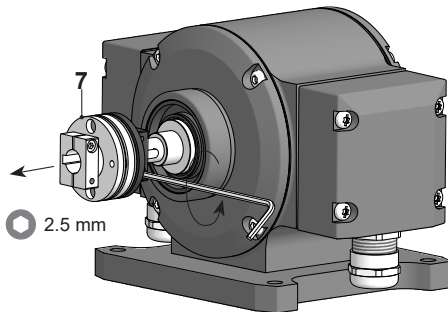
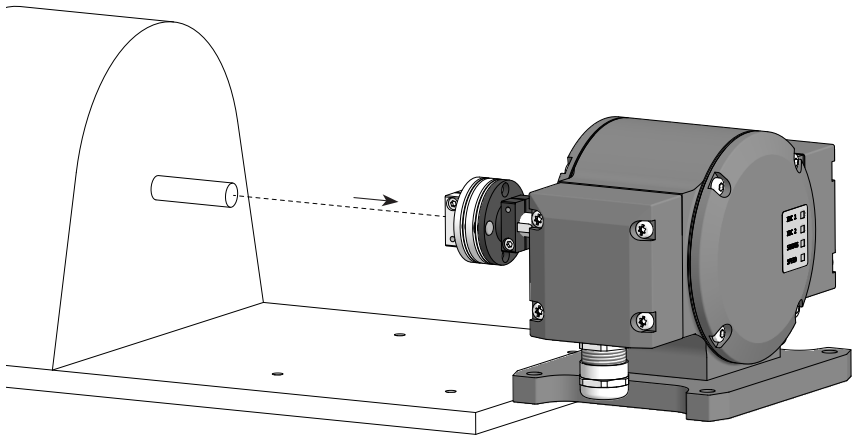
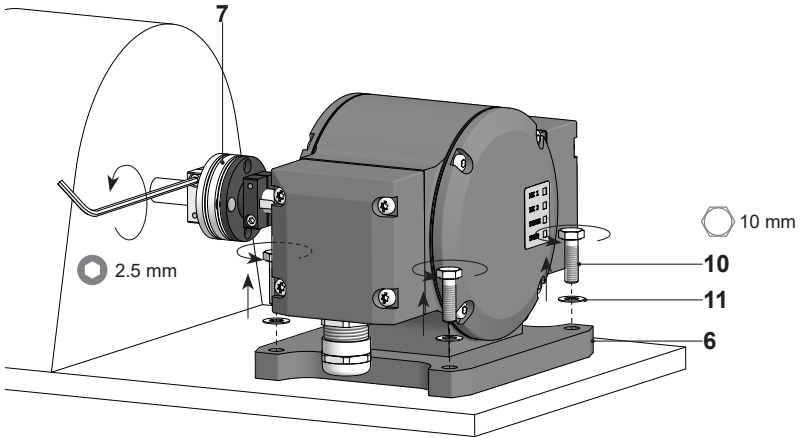
Risk of serious injuries

Disconnect all electrical connections before dismounting.

8.1 EURO flange B10



8.2 Housing foot B3



9. TECHNICAL DATA

9.1 Technical data - electrical ratings

Voltage supply:	4.75...30 VDC
Short-circuit proof:	Yes
Consumption w/o load:	≤100 mA
Initializing time:	≤500 ms after power on
Pulses per revolution:	1...131072
Phase shift:	90° ±20°
Duty cycle:	40...60 %
Reference signal:	Zero pulse, width 90°
Sensing method:	Magnetic
Output signals:	A+, B+, R+, A-, B-, R- Error output nE+, nE-
Output stages:	TTL/HTL (Vin = Vout)
Programming interface:	RS485 (≤600 m)
Programmable parameters:	Pulse number Switch-off and switch-on speeds Switching delay time
Diagnostic function:	Function control
Status indicator:	4 LEDs in device back side
Interference immunity:	EN 61000-6-2
Emitted interference:	EN 61000-6-3
Approval:	UL approval / E256710 CE EAC

9.2 Technical data - electrical ratings (speed switch)

Switching accuracy:	±2 % (or 1 Digit)
Switching outputs:	1 output (Open collector)
Output switching capacity:	30 VDC; ≤100 mA
Switching hysteresis:	10...100 % adjustable
Switching delay time:	≤20 ms

9.3 Technical data - mechanical design

Size (flange):	ø115 mm
Shaft type:	ø11 mm solid shaft
Admitted shaft load:	≤450 N axial ≤650 N radial
Flange:	EURO flange B10 Housing foot B3
Protection EN 60529:	IP 66/IP 67
Operating speed:	≤12000 U/min
Schaltdrehzahlbereich:	ns (off) = ±2...12000 rpm, factory setting 6000 rpm
Operating torque typ.:	10 Ncm
Rotor moment of inertia:	1 kgcm ²
Materials:	Housing: aluminium alloy Shaft: stainless steel
Operating temperature:	-40...+95 °C
Relative humidity:	95 % non-condensing
Resistance:	IEC 60068-2-6 Vibration 30 g, 10-2000 Hz IEC 60068-2-27 Shock 400 g, 1 ms
Corrosion protection:	IEC 60068-2-52 Salt mist complies to ambient conditions CX (C5-M) according to ISO 12944-2
Connection:	Terminal box Flange connector M23
Weight approx.:	1.9 kg (depending on version)



Baumer Germany GmbH & Co. KG
 Bodenseeallee 7
 DE-78333 Stockach
www.baumer.com