

Quick Start Guide  
LXG *VisualApplets* cameras for 3D Laser Triangulation

Download latest camera software:  
[www.baumer.com/vision/software](http://www.baumer.com/vision/software)

Download latest technical documentation:  
[www.baumer.com/cameras/docs](http://www.baumer.com/cameras/docs)

**Conformity / Safety**

Conformity:  
CE, RoHS



CE

We declare, under our sole responsibility, that the previously described Baumer LXG *VisualApplets* cameras for 3D Laser Triangulation conform with the directives of the CE.

RoHS

All LXG *VisualApplets* cameras for 3D Laser Triangulation comply with the recommendation of the European Union concerning RoHS Rules.

**Safety Precautions**

- Protect the sensor from dirt and moisture.
- Never open the camera housing.
- Avoid camera contamination by foreign objects.

**Environmental requirements:**

Storage temp.	-10 °C ... +70 °C
Operating temp.	+5 °C ... +50 °C
Housing temp.	max. +50 °C
Humidity	10 % ... 90 % Non-condensing

**Further Information**

For further information on our products visit [www.baumer.com](http://www.baumer.com)

For technical issues, please contact our technical support:  
[support.cameras@baumer.com](mailto:support.cameras@baumer.com) · Phone +49 (0)3528 4386-0 · Fax +49 (0)3528 4386-86

© Baumer Optronic GmbH · Badstrasse 30 · DE-01454 Radeberg, Germany

Technical data has been fully checked, but accuracy of printed matter not guaranteed.

Subject to change without notice. Printed in Germany 11/20. v13

11185082

**Product Specification**

**Integrated Center of Gravity (image preprocessing)**

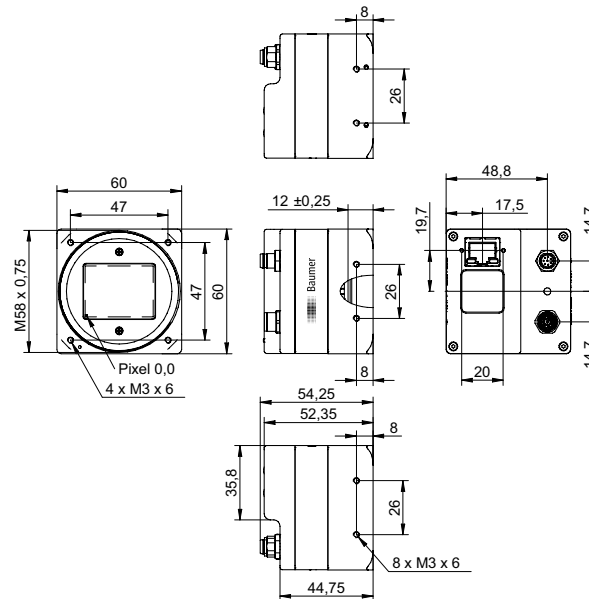
- Single Gigabit Ethernet progressive scan CMOS camera
- GigE Vision® standard compliant
- True partial scan function (ROI) for increased frame rates
- High Dynamic Range (HDR) image acquisition
- External synchronization via industrial compliant process interface (trigger / flash)
- Global shutter architecture for minimized motion blur
- Power over Ethernet (PoE) support
- Standard RJ45 connectors
- Excellent image quality
- Camera parameter programmable in real-time
- Integrated Center of Gravity (CoG) image preprocessing

Camera Type	Sensor Size	Resolution	Full Frames <sup>1)</sup> [max. fps]
<b>Monochrome</b>			
LXG-20M.3D	2/3"	2018 × 1088	338
LXG-120M.3D	APS-C	4096 × 3072	60

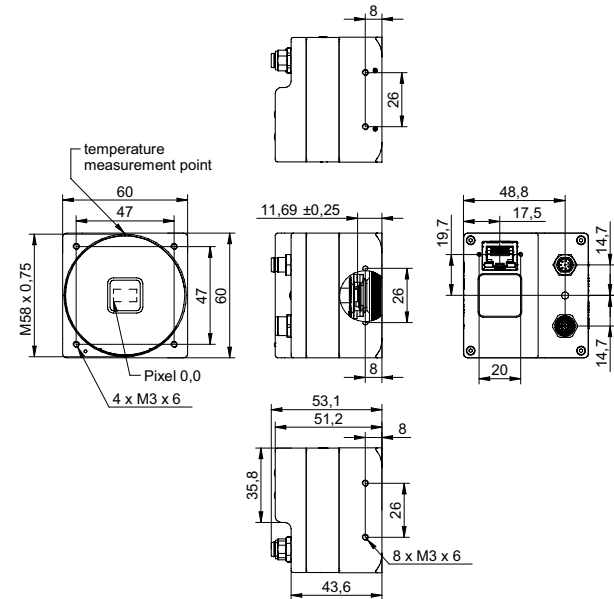
<sup>1)</sup> sensor frame rate



**Dimensions Camera LXG-120M.3D**



**Dimensions Camera LXG-20M.3D**



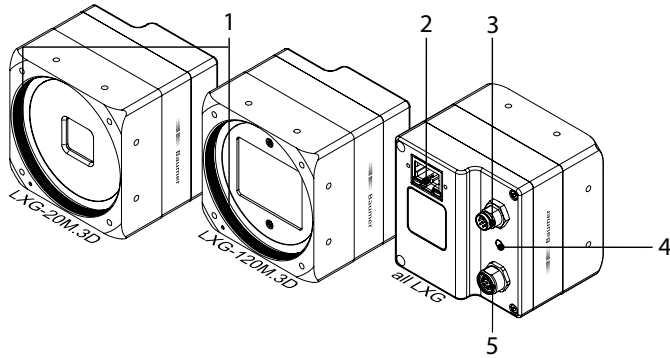
**Lens Adapter for LXG-20M.3D / LXG-120M.3D**

- Adapter M58 / C-mount (Art. No: 11115198)
- Adapter M58 / C-mount (Scheimpflug 2.5°) (Art. No: 11165019)
- Adapter M58 / M42x1-mount (26.8mm) (Art. No.: 11127232)
- Adapter M58 / M42x1-mount (45.5 mm) (Art. No.: 11137781)

**Notice**  
suitable for Zeiss (e.g. Distagon T\* 2/25 Z-M42-I, Planar T\* 1.4/50 Z-M42-I, Makro-Planar T\* 2/50 Z-M42-I) and KOWA M42 lenses (e.g. LM28LF P-Mount, LM35LF P-Mount)

- Adapter M58 / F-mount (Art. No.: 11117852)

## General Description



No.	Description	No.	Description
1	<b>LXG-20M.3D</b> lens mount (M58), adapter for other lens mounts available	4	Signaling-LED
	<b>LXG-120M.3D</b> lens mount (M58), adapter for other lens mounts available		
2	Data Port 1 (PoE)	5	Digital-I/O (RS485)
3	Power Supply / Digital-I/O		

## Data Interface

### Notice

The Data port supports Power over Ethernet (36 VDC .. 57 VDC).

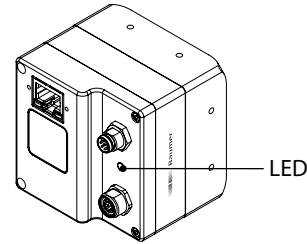
### Data / Control 1000 Base-T wire colors of the connecting cable



1	green/white	MX1+
2	green	MX1-
3	orange/white	MX2+
4	blue	MX3+
5	blue/white	MX3-
6	orange	MX2-
7	brown/white	MX4+
8	brown	MX4-

	Signal	Meaning
RJ45 LEDs	green on	Link on
	green blinking	Link activity
	amber on	GigE speed
	amber blinking	100 MB speed

## LED Signaling



	Signal	Meaning
Camera LED	green on	Power on, link good
	green blinking	Power on, no link
	red on	Error
	red blinking	Warning (update in progress, don't switch off)
	yellow	Readout active

## Power Supply and Process Interfaces

**Power and Process Interface #1** SACC-DSI-M8FS-8CON-M10-L180 SH  
**Power and Process Interface #2 (RS485)** SACC-DSI-M8MS-8CON-M8-L180 SH



1	white	OUT 3 (line 3)
2	brown	Power VCC+
3	green	IN 1 (line 0)
4	yellow	IO GND
5	grey	IO Power VCC
6	pink	OUT 1 (line 1)
7	blue	Power GND
8	red	OUT 2 (line 2)



1	white	In2_RS485+ (line4)
2	brown	In2_RS485- (line4)
3	green	In2_RS485+ (line5)
4	yellow	In2_RS485- (line5)
5	grey	OUT3_In2_RS485+ (line6)
6	pink	OUT3_In2_RS485- (line6)
7	blue	external Power GND
8	red	external Power 5 V/200 mA

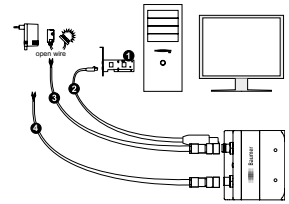
### Power Supply

Power VCC	12 VDC ... 24 VDC
-----------	-------------------

## Installation

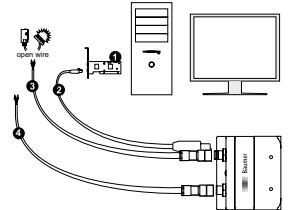
### Installation sample without PoE

- 1 - network interface card
- 2 - network cable
- 3 - Process interface- / Power cable
- 4 - Process interface cable (RS485)



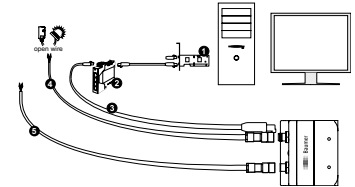
### Installation sample with PoE via NIC

- 1 - PoE network interface card (NIC)
- 2 - network cable (PoE)
- 3 - Process interface cable
- 4 - Process interface cable (RS485)



### Installation sample with PoE via Injector

- 1 - network interface card (NIC)
- 2 - injector
- 3 - network cable (with PoE)
- 4 - Process interface cable
- 5 - Process interface cable (RS485)



## Heat Transmission

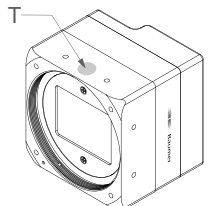
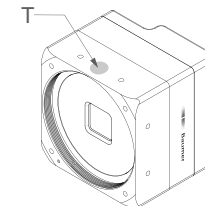
### Caution

Provide adequate dissipation of heat, to ensure that the temperature does not exceed +50 °C (+122 °F). The surface of the camera may be hot during operation and immediately after use. Be careful when handling the camera and avoid contact over a longer period.



As there are numerous possibilities for installation, Baumer do not specify a specific method for proper heat dissipation, but suggest the following principles:

- operate the cameras only in mounted condition
- mounting in combination with forced convection may provide proper heat dissipation



### Measure Point

### Maximal Temperature

T	+50 °C (122 °F)
---	-----------------