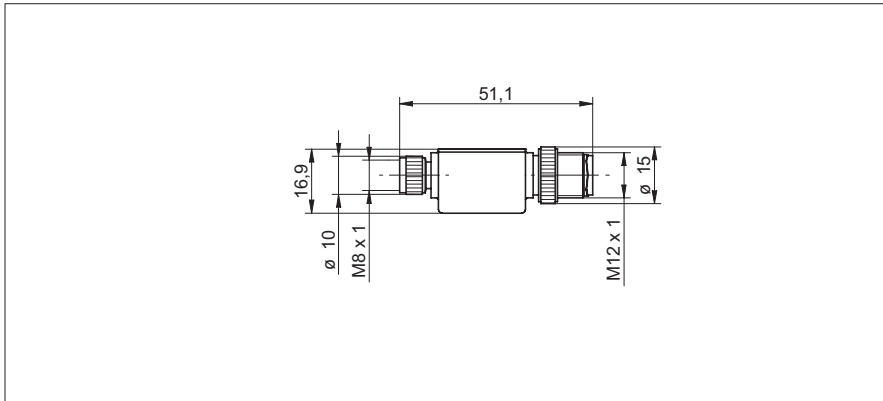


# Adapter, M8 female connector straight to M12 male connector straight, 4-pin

**dimension drawing**



- 4-wire
- A-coded
- Material of grip body: TPU
- self-locking cap nut

**General data**

Rated current at 40 °C	4 A
Rated voltage	30 V
Number of positions	4
Volume resistance	≤ 5 mΩ
Insulation resistance	≥ 100 MΩ
Ambient temperature (operation)	-25 ... 90 °C

**Typ**

**Mat.-No.**

ESG 32A/KSG34AU0005 11092485

**General characteristics**

Standards/regulations	M12 connector IEC 61076-2-101 M8 connector IEC 61076-2-104
Coding	A-standard
Surge voltage category	II
Pollution degree	3
Degree of protection	IP65/IP67
Mating cycles	≥ 100
Installation torque	0,4 Nm (M12 connector)
Installation torque	0,2 Nm (M8 connector)
Contact material	CuSn
Contact surface material	Ni/Au
Contact carrier material	TPU GF
Material of grip body	TPU, hardly inflammable, self-extinguishing
Material, knurls	Zinc die-cast, (nickel-plated)
Sealing material	NBR
Status display	no

**pin assignment**

