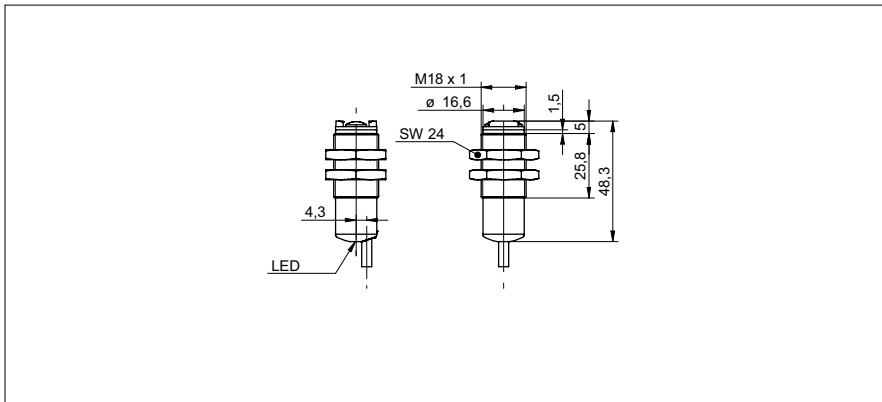


# Diffuse sensors with background suppression

**OR18.GR.F-11157807**

**dimension drawing**



**general data**

type	background suppression
version	fixed focus
light source	pulsed red LED
sensing distance $T_w$	50 mm
sensing range $T_b$	10 ... 50 mm
output indicator	LED yellow
sensing distance adjustment	no
wave length	660 nm

**electrical data**

response time / release time	< 0,5 ms
voltage supply range +Vs	12 ... 30 VDC
current consumption max. (no load)	40 mA
current consumption typ.	30 mA
voltage drop Vd	< 2 VDC
output function	light / dark operate
output circuit	PNP
output current	< 100 mA
short circuit protection	yes
reverse polarity protection	yes

**mechanical data**

width / diameter	18 mm
height / length	48,3 mm
type	cylindrical threaded
housing material	plastic (ABS TERLURAN)
front (optics)	PMMA
connection types	cable 4 pin, 2 m

**ambient conditions**

operating temperature	-25 ... +55 °C
protection class	IP 67

**photo**



**connection diagram**

