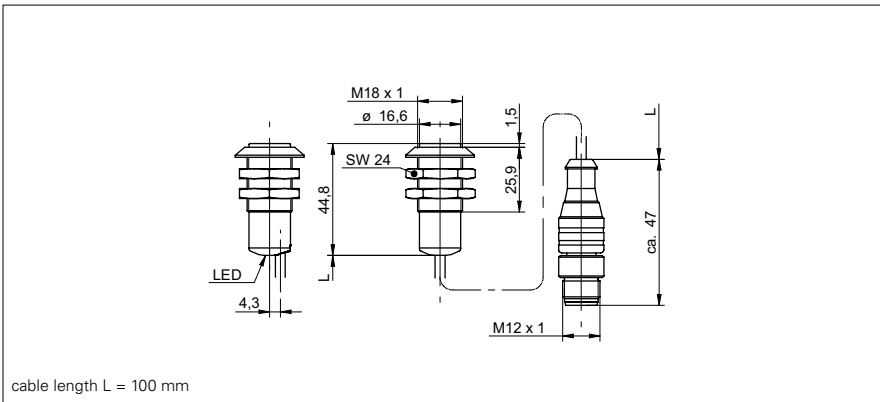


# Through beam sensors

**OR18.EI-11157813**

**dimension drawing**



**general data**

type	through beam sensor
emitter / receiver	receiver
actual range Sb	13 m
nominal range Sn	20 m
alignment / soiled lens indicator	LED green
output indicator	LED yellow
sensitivity adjustment	no

**electrical data**

response time / release time	< 2 ms
voltage supply range +Vs	12 ... 30 VDC
current consumption max. (no load)	40 mA
current consumption typ.	30 mA
voltage drop Vd	< 2 VDC
output function	light / dark operate
output circuit	PNP
output current	< 100 mA
short circuit protection	yes
reverse polarity protection	yes

**mechanical data**

width / diameter	18 mm
height / length	44,8 mm
type	cylindrical threaded
housing material	plastic (ABS TERLURAN)
front (optics)	PMMA
connection types	flylead connector M12 4 pin, L=100 mm

**ambient conditions**

operating temperature	-25 ... +55 °C
protection class	IP 67

**photo**



**connection diagram**

