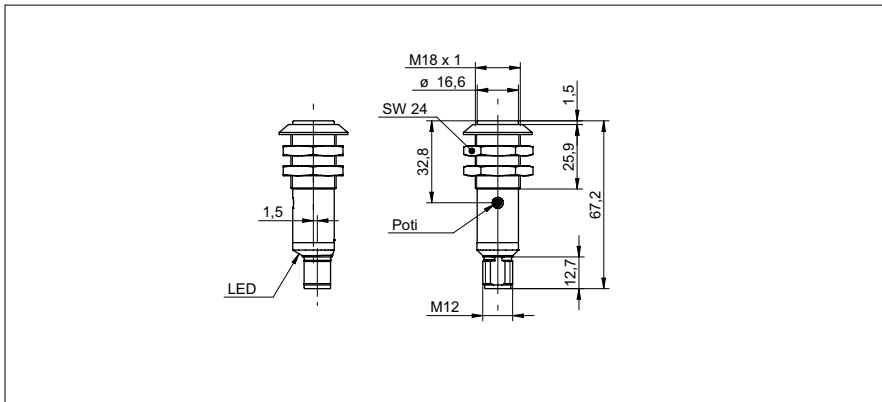


Through beam sensors

OR18.EI-11157814

dimension drawing



general data

type	through beam sensor
emitter / receiver	receiver
actual range S_b	13 m
nominal range S_n	20 m
alignment / soiled lens indicator	LED green
output indicator	LED yellow
sensitivity adjustment	potentiometer, 270°

electrical data

response time / release time	< 2 ms
voltage supply range +Vs	12 ... 30 VDC
current consumption max. (no load)	40 mA
current consumption typ.	30 mA
voltage drop Vd	< 2 VDC
output function	light / dark operate
output circuit	NPN
output current	< 100 mA
short circuit protection	yes
reverse polarity protection	yes

mechanical data

width / diameter	18 mm
height / length	67,2 mm
type	cylindrical threaded
housing material	plastic (ABS TERLURAN)
front (optics)	PMMA
connection types	connector M12 4 pin

ambient conditions

operating temperature	-25 ... +55 °C
protection class	IP 67

photo



connection diagram

