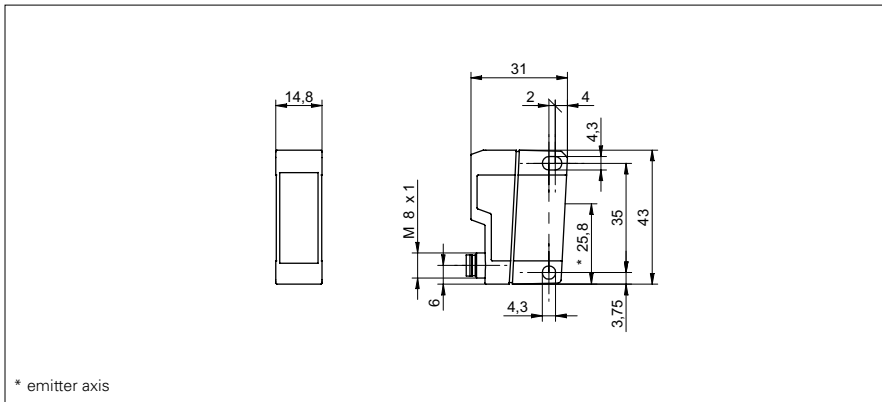


**Through beam sensors**

**FSDK 14D9601/S35A**

**dimension drawing**



**general data**

type	through beam sensor
emitter / receiver	emitter
light source	pulsed red LED
actual range $S_b$	12 m
nominal range $S_n$	15 m
wave length	660 nm

**electrical data**

voltage supply range +Vs	10 ... 30 VDC
current consumption max. (no load)	20 mA
current consumption typ.	12 mA
reverse polarity protection	yes

**mechanical data**

width / diameter	14,8 mm
height / length	43 mm
depth	31 mm
type	rectangular
housing material	plastic (ASA, MABS)
front (optics)	PMMA
connection types	connector M8 4 pin

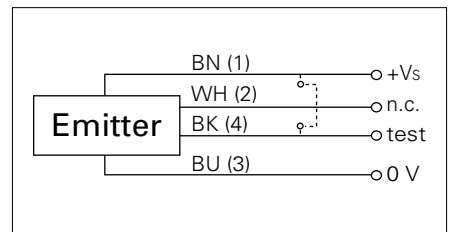
**ambient conditions**

operating temperature	-25 ... +65 °C
protection class	IP 67

**photo**



**connection diagram**



• emitter without LED