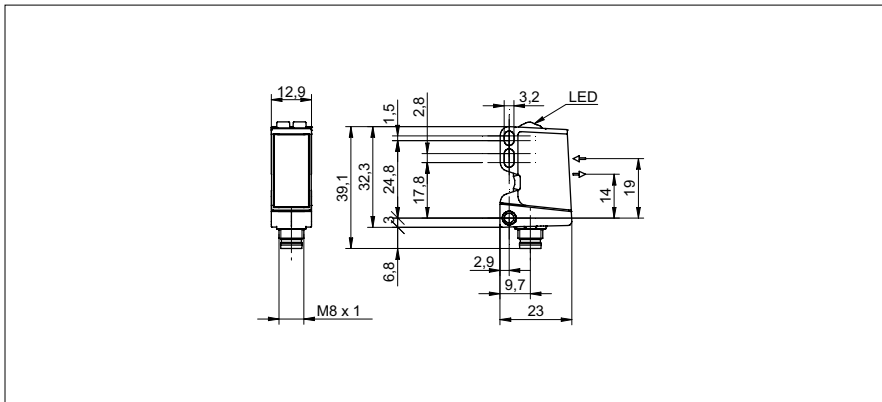


**Retro-reflective sensors**

**O300.RR-11110444**

**dimension drawing**



**general data**

type	retro-reflective sensor
light source	pulsed red LED
actual range $S_b$	4 m
nominal range $S_n$	5 m
polarization filter	yes
light indicator	LED yellow
power on indication	LED green
sensitivity adjustment	no
wave length	630 nm
suppression of reciprocal influence	yes
alignment optical axis	< 2°

**electrical data**

response time / release time	< 0,49 ms
voltage supply range +Vs	10 ... 30 VDC
current consumption max. (no load)	30 mA
current consumption typ.	30 mA
voltage drop $V_d$	< 3 VDC
output function	dark operate
output circuit	push-pull
output current	< 100 mA
short circuit protection	yes
reverse polarity protection	yes

**mechanical data**

width / diameter	12,9 mm
height / length	32,3 mm
depth	23 mm
type	rectangular
housing material	plastic (ASA, PMMA)
front (optics)	PMMA
connection types	connector M8 4 pin

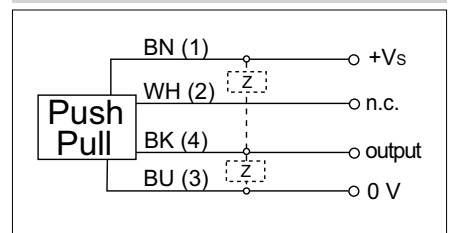
**ambient conditions**

operating temperature	-25 ... +60 °C
protection class	IP 67

**photo**



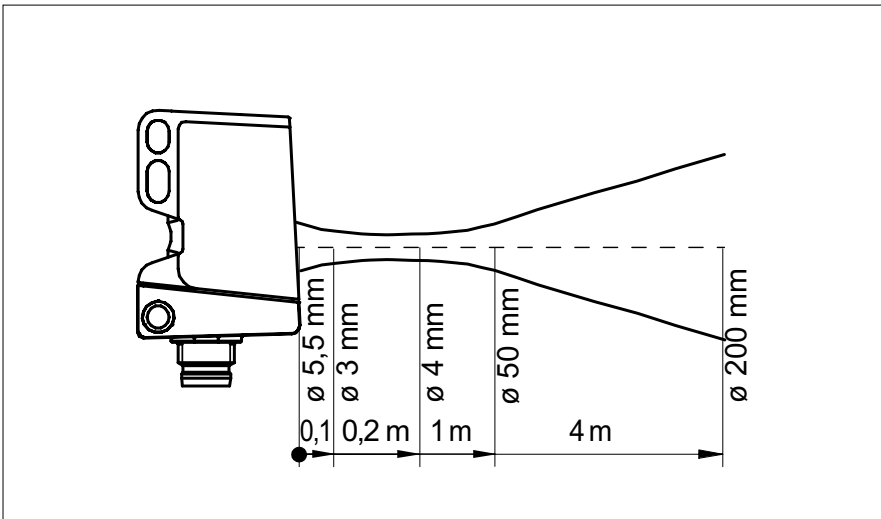
**connection diagram**



Retro-reflective sensors

O300.RR-11110444

beam characteristic (typically)



excess gain curves

