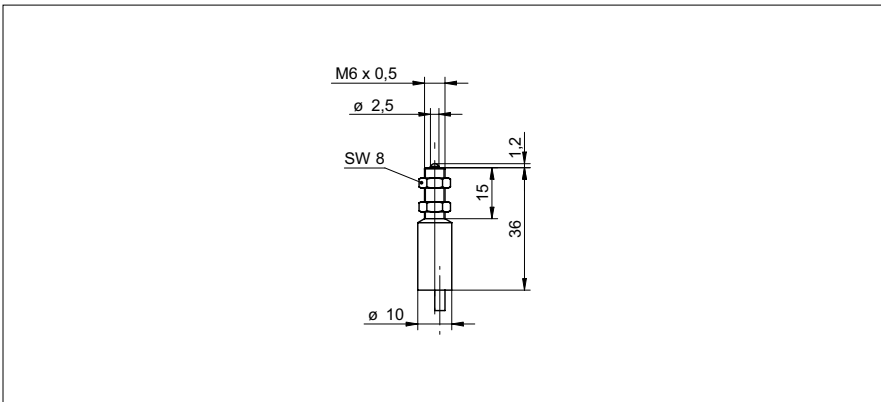


My-Com precision switches

MY-COM E100/80

dimension drawing



general data

repeat accuracy	< 0,001 mm
activating force	100 cN
mech. pre-run / overrun	- / 0,8 ... 1,5 mm approx.
measurement type	contact with medium
direction of approach	frontal and lateral approach

electrical data

DC voltage max.	15 VDC
switch. current DC max.	2 mA
AC voltage max.	24 VAC
switch. current AC max.	50 mA
output circuit	break function (NC) mechanical

mechanical data

activating pin	hardened steel
housing material	brass nickel plated
dimension	6 mm
type	cylindrical threaded
housing length	36 mm
connection types	cable, 80 cm

ambient conditions

operating temperature	-20 ... +75 °C
protection class	IP 50

photo



connection diagram

