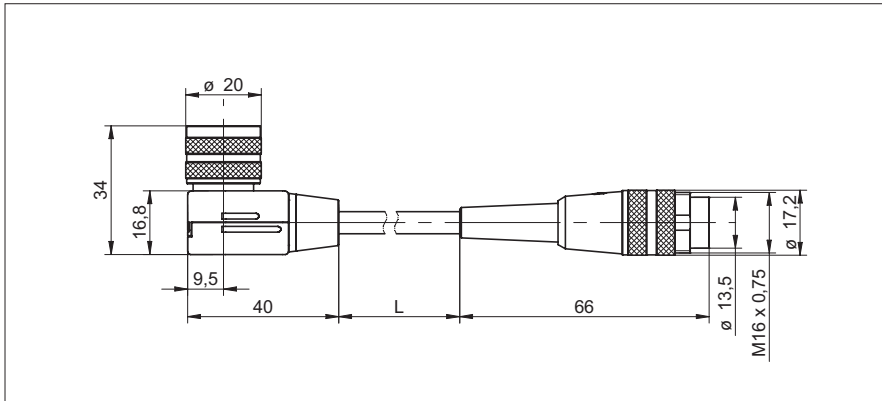


connecting cable

Socket angled 6-pol – plug, straight M16 x 0,75, 7-pol

dimension drawing



General data

Rated current at 40 °C	5 A
Rated voltage	125 V
Number of positions	6 / 7
Volume resistance	≤ 5 mΩ
Insulation resistance	≥ 100 MΩ
Length of cable	see listing
Ambient temperature (operation)	-40 ... +85 °C (Male connector/female connector)

type	Mat.-No.	L
ESW 16D/KSG16EP0030G	11100905	0,30 m

General characteristics plug (7-pol)

Standards/regulations	DIN 45321
protection	IP 40
Material contact	CuZn
Material contact surface	Ag/Au
Material contact carrier	PA 6.6
Material of grip body	CuZn, nicked and chrome plated
Material knurled	CuZn, nicked and chrome plated

socket 6-pol

1 = (RD) output signal +Vout
 2 = (WH) encoder input B (FLDM 170G...) output signal -Vout (FLDM 170C...)
 3 = (BN) operating voltage +Vs
 4 = (YE) encoder GND
 5 = (GN) encoder input A
 6 = (BU) operating voltage GND (0V)

General characteristics socket (6-pol)

Standards/regulations	DIN 45322
Surge voltage category	I
Pollution degree	1
Degree of protection	IP 40
Material contact	CuSn
Material contact surface	Ag
Material contact carrier	PBT, UL 94 V-0
Material of grip body	PA, UL 94 HB

plug M16 x 0,75 7-pol

1 = (BN) +24 VDC power
 2 = (RD) +Output (collector)
 3 = (GN) +Speed Sensor Input
 4 = (YE) - Speed Sensor Input
 5 = (WH) - Output (emitter)
 6 = (BU) 0 V
 7 = No function
 (connected to pin 6 internally)

connecting cable

Socket angled 6-pol – plug, straight M16 x 0,75, 7-pol

Conductor data	
Cable type	PUR halogen-free black
Cable abbreviation	LIYC11YF
Conductor cross section	0,14 mm ²
AWG signal line	25 - 26
Conductor structure, signal line	18 x 0,10 mm
Core diameter	0,9 mm
External cable diameter	5,5 mm ± 0,2 mm
Wire colors	white, brown, green, yellow, grey, pink, blue, red
External sheath, color	Black
Nominal voltage, conductor	250 V
Test voltage, conductor	1200 V
Outer sheath, material	PUR
Conductor material	Cu
Smallest bending radius	10 x D
Ambient temperature (operation)	-40 ... +90 °C
Special properties	coat unleaded
Flame resistance	yes
Halogen-free	As per DIN VDE 0250 part 407