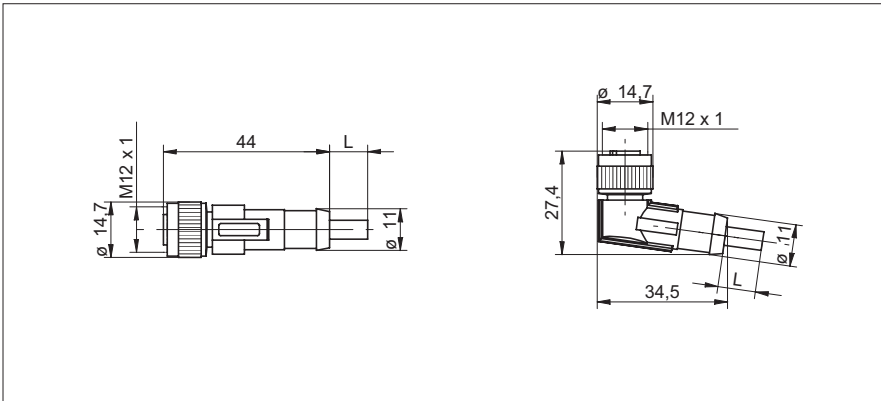


## Connector M12 x 1 with attached PUR-cable

### dimension drawing



- 5-wire
- PUR halogen-free
- suitable for flexible cable carriers
- self-locking cap nut
- UL listing file No. E315836

### General data

Nominal current $I_N$	4 A
Nominal voltage $U_N$	60 V
Number of positions	5
Volume resistance	$\leq 5 \text{ m}\Omega$
Insulation resistance	$\geq 100 \text{ M}\Omega$
Length of cable	see listing
Stripping length of the free conductor end	50 mm
Ambient temperature (operation)	-25 ... 90 °C

### General characteristics

Coding	A-standard
Surge voltage category	II
Pollution degree	3
Degree of protection	IP65/IP67/IP68
Contact material	CuSn
Contact surface material	Ni/Au
Contact carrier material	TPU GF
Material of grip body	TPU, hardly inflammable, self-extinguishing
Material, knurls	Zinc die-cast, (nickel-plated)
Sealing material	NBR
Status display	no

### Conductor data

Cable type	PUR halogen-free black
Conductor cross section	0,34 mm <sup>2</sup>
AWG signal line	22
Conductor structure, signal line	42x0,10 mm
Core diameter including insulation	1,27 mm $\pm$ 0,05 mm
External cable diameter	5,0 mm
Wire colors	Brown, white, blue, black, gray
External sheath, color	Black-gray RAL 7021

### type Mat.-No. length

#### straight connectors

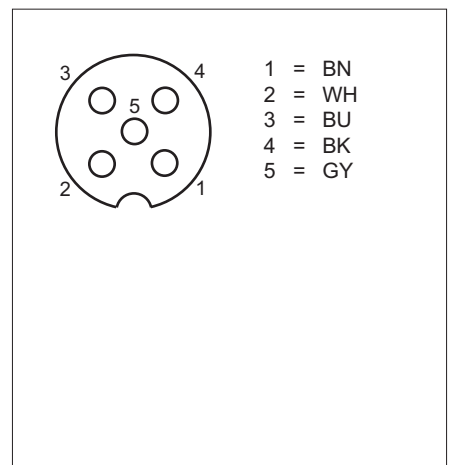
ESG 34CH0200	10119929	2 m
ESG 34CH0500	10126562	5 m

#### angular connectors

ESW 33CH0200	10119930	2 m
ESW 33CH0500	10126563	5 m

other lengths on request

### pin assignment



## Connector M12 x 1 with attached PUR-cable

Conductor data (cont.)	
Outer sheath, material	PUR
Conductor material	Bare Cu litz wires
Cable weight	35 kg/km
Number of bending cycles	4'000'000
Bending radius	50 mm
Traversing path	10 m
Traversing rate	3 m/s
Acceleration	10 m/s <sup>2</sup>
Ambient temperature (operation)	-40 ... 80 °C (cable, fixed installation)
	-5 ... 80 °C (cable, flexible installation)
Special properties	Flexible cable conduit capable
	Silicone-free
	Free of substances which would hinder coating with paint or varnish
Flame resistance	As per UL-Style 20549
Halogen-free	As per DIN VDE 0472 part 815
Resistance to oil	complying with DIN EN 60811-2-1
Other resistance	Highly resistant to acids, alkaline solutions and solvents
	hydrolysis and microbe resistant