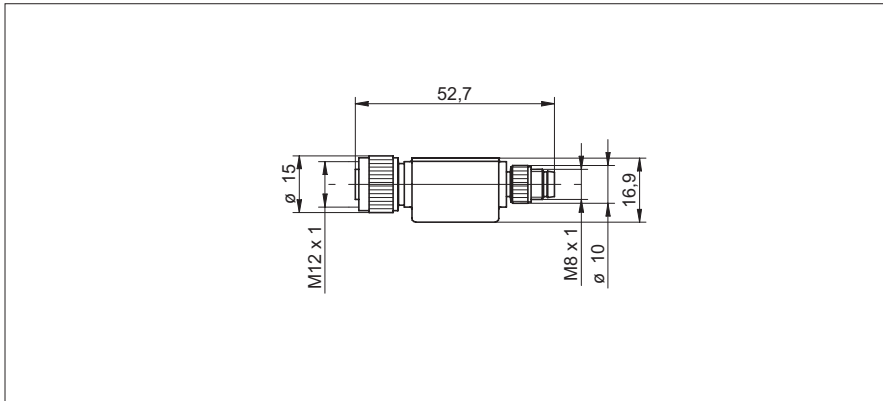


Adapter, M12 female connector straight to M8 male connector straight, 4-pin

dimension drawing



- 4-wire
- A-coded
- Material of grip body: TPU
- self-locking cap nut

General data

Rated current at 40 °C	4 A
Rated voltage	30 V
Number of positions	4
Volume resistance	≤ 5 mΩ
Insulation resistance	≥ 100 MΩ
Ambient temperature (operation)	-25 ... 90 °C

Typ

Mat.-No.

L

ESG 34A/KSG32AU0005	11092488
---------------------	----------

General characteristics

Standards/regulations	M12 connector IEC 61076-2-101 M8 connector IEC 61076-2-104
Coding	A-standard
Surge voltage category	II
Pollution degree	3
Degree of protection	IP65/IP67
Mating cycles	≥ 100
Installation torque	0,4 Nm (M12 connector)
Installation torque	0,2 Nm (M8 connector)
Contact material	CuSn
Contact surface material	Ni/Au
Contact carrier material	TPU GF
Material of grip body	TPU, hardly inflammable, self-extinguishing
Material, knurls	Zinc die-cast, (nickel-plated)
Sealing material	NBR
Status display	no

pin assignment

