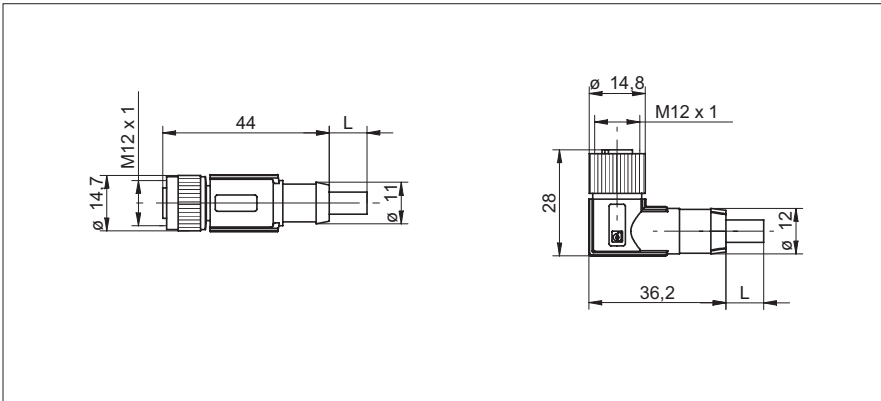


Connector M12 x 1 with attached PUR-cable, shielded

dimension drawing



- 4-wire, shielded
- shield connected with cap-nut
- PUR halogen-free
- suitable for flexible cable carriers
- self-locking cap nut
- UL listing file No. E315836

General data

Nominal current I_N	4 A
Nominal voltage U_N	250 V
Number of positions	4
Volume resistance	$\leq 5 \text{ m}\Omega$
Insulation resistance	$\geq 100 \text{ M}\Omega$
Length of cable	see listing
Stripping length of the free conductor end	50 mm
Ambient temperature (operation)	-25 ... 90 °C

General characteristics

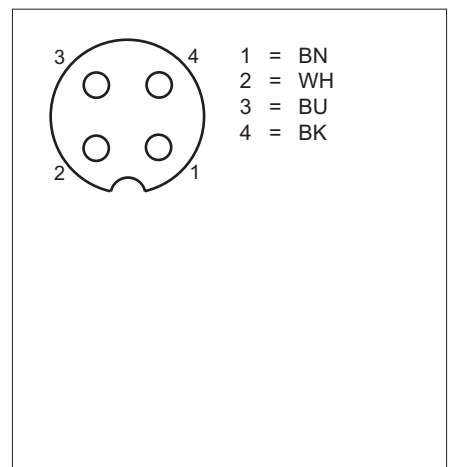
Coding	A-standard
Surge voltage category	II
Pollution degree	3
Degree of protection	IP65/IP67
Contact material	CuSn
Contact surface material	Ni/Au
Contact carrier material	TPU GF
Material of grip body	TPU, hardly inflammable, self-extinguishing
Material, knurls	Zinc die-cast, (nickel-plated)
Sealing material	NBR
Status display	no

Conductor data

Cable type	PUR halogen-free black, shielded
Cable abbreviation	Li9Y-V1-C-V1-11Y
Conductor cross section	4x0,34 mm ²
AWG signal line	22
Conductor structure, signal line	42x0,10 mm
Core diameter including insulation	1,27 mm \pm 0,02 mm
Thickness, insulation	ca. 0,21 mm (Core insulation)
	ca. 0,5 mm (Outer cable sheath)
External cable diameter	4,95 mm \pm 0,02 mm
Wire colors	Brown, white, blue, black
External sheath, color	Black-gray RAL 7021

type	Mat.-No.	length
straight connectors		
ESG 34AH0200G	11046262	2 m
ESG 34AH0500G	11046263	5 m
ESG 34AH1000G	10125473	10 m
angular connectors		
ESW 33AH0200G	11046259	2 m
ESW 33AH0500G	11046260	5 m
ESW 33AH1000G	10126464	10 m
ESW 33AH1500G	11001022	15 m
other lengths on request		

pin assignment



Connector M12 x 1 with attached PUR-cable, shielded

Conductor data (cont.)	
Conductor resistance	≤ 58 Ω/km
Nominal voltage, conductor	300 V
Test voltage, conductor	3000 V
Overall twist	4 wires, twisted
Shielding	Tinned copper braided shield
Optical shield covering	80 %
Outer sheath, material	PUR
Material conductor insulation	PP
Conductor material	Bare Cu litz wires
Cable weight	36 kg/km
Smallest bending radius, movable installation	50 mm
Number of bending cycles	10'000'000
Bending radius	50 mm
Traversing path	10 m
Traversing rate	3 m/s
Acceleration	10 m/s ²
Ambient temperature (operation)	-40 ... 80 °C (cable, fixed installation)
	-25 ... 80 °C (cable, flexible installation)
Special properties	Suitable for drag chains
	Silicone-free
	Free of substances which would hinder coating with paint or varnish
Flame resistance	As per UL 758/1581 FT2
	As per DIN EN 60332-2-2 (20 s)
Halogen-free	As per DIN VDE 0472 part 815
Resistance to oil	complying with DIN EN 60811-2-1
Other resistance	Highly resistant to acids, alkaline solutions and solvents
	hydrolysis and microbe resistant
	resistant to seawater
	partly UV-resistant in accordance with DIN EN ISO 4892-2-A