

VCXG-32C.I

Gigabit Ethernet, 3,1 Megapixel, Color

Article number: 11186790

Overview

- 2048 x 1536 px
- Sony IMX265
- 1/1.8" CMOS
- 39 fps
- Gigabit Ethernet



Picture similar



GEN<i>i>CAM



Technical data

Sensor information

Sensor	Sony IMX265 Gen2
Mono/Color	Color
Sensor type	1/1.8" CMOS
Shutter type	Global shutter
Resolution	2048 × 1536 px
Pixel size	3.45 × 3.45 μm
Exposure time	0.001 ... 60000 ms

Data quality (EMVA 1288 typical)

Dark noise	1.98 e-
Saturation capacity	9270 e-
Dynamic range	70.9 dB
Signal-to-noise ratio	39.7 dB
Quantum efficiency	46.2 % @ 465 nm 56.9 % @ 536 nm 53 % @ 631 nm

Acquisition formats

Image formats, interface frame rate max.	Full Frame, 2048 × 1536 px, max. 39 fps Binning 2×2, 1024 × 768 px, max. 56 fps Binning 2×1, 1024 × 1536 px, max. 56 fps Binning 1×2, 2048 × 768 px, max. 56 fps
Image formats, acquisition frame rate max. (Burst Mode)	Full Frame, 2048 × 1536 px, max. 56 fps

Acquisition formats

Pixel formats	BayerRG8 BayerRG10 BayerRG12 BayerRG12 Packed Mono8 Mono10 Mono12 Mono12 Packed RGB8 BGR8
---------------	--

Image preprocessing

Analog controls	Gain (0 ... 48 dB) Offset (0 ... 255 LSB 12 Bit)
-----------------	---

Color models	Mono RGB BGR
--------------	--------------------

Camera features

Basic Functions	Exposure Gain / Color Gain Trigger / Exposure Active (Flash) Binning 2x2 Partial Scan Offset Free Running Mode (Live Image)
Auto Functions	Exposure Auto Gain Auto White Balance Auto Color Transformation Auto

VCXG-32C.I

Gigabit Ethernet, 3,1 Megapixel, Color

Article number: 11186790

Technical data

Camera features

Image Pre-processing	Image Flipping (X/Y) Color Processing (RGB, BGR, Mono) Color Enhancement (with optimized ColorTransformationMatrix) LUT / Gamma
Acquisition / Interface	Burst Mode Adjustable Framerate Short Exposure Time Enable Device Link Throughput Limit Internal Image Buffer
Synchronization	free running trigger
Trigger sources	Hardware Software ActionCommand
Trigger delay	0 ... 2 s, tracking and buffering of up to 256 trigger signals
Process Synchronization	Events Timer Trigger Delay Debouncer Counter Sequencer Trigger via Action CMD (GigE) Additional Output Modes (e.g. Trigger Ready) PWM (PWM Duration / PWM Duty Cycle) 4 power outputs with up to 120 W (max. 48 V / 2.5 A) Selectable Output format (e.g. Tri State, Push Pull) Chunk data inside transferred image Encoder support via Counter End trigger source
Additional Functions	User Set Integrated temperature sensor Readable additional information (e.g. sensor information) Save Custom Data
Internal image buffer	72 MB 8 images (Trigger Mode) 1 image (Free Running Mode)

Interfaces and connectors

Data interface	Gigabit Ethernet, Transfer rate 1000 Mbits/sec, Fast Ethernet, Transfer rate 100 Mbits/sec, Connector: M12 / 8 pol x-coded, screwable TYPE090 (according to GigE Vision Mechanical Supplement)
----------------	--

Interfaces and connectors

Process interface	M12 / 12 pins a-coded (SACC-CI-M12MS-12CON-L180)
Power supply	via M12/12 pins a-coded or Power over Ethernet (PoE)

Mechanical data

Lens mount	C-mount
Width	40 mm
Height	40 mm
Depth	50.8 mm
Weight	≤ 137 g
Material	aluminum, hard-anodized

Electrical data

Voltage supply range +Vs	12 ... 24 V DC (external power supply) 36 ... 57 V DC (Power over Ethernet)
Power consumption	Approx. 2.4 W @ 12 VDC and 39 fps Approx. 3.1 W @ 48 VDC (PoE) and 39 fps

Non-volatile memory

Flash memory size	128 kB
-------------------	--------

Environmental conditions

Operating temperature	0 ... +65 ° @ T = measurement point
Storage temperature	-20 ... +70 °C
Humidity	10 ... 90 % (non-condensing)
Protection class	IP 54 (with mounted lens and cable) IP 65 (with mounted tube and cable) IP 67 (with mounted tube and cable) IP 69K (with stainless steel housing accessory)

Digital I/Os

Lines	4 input lines 4 power output lines with pulse width modulation (PWM) (max. 48 V / max. 2.5 A)
-------	--

Conformity

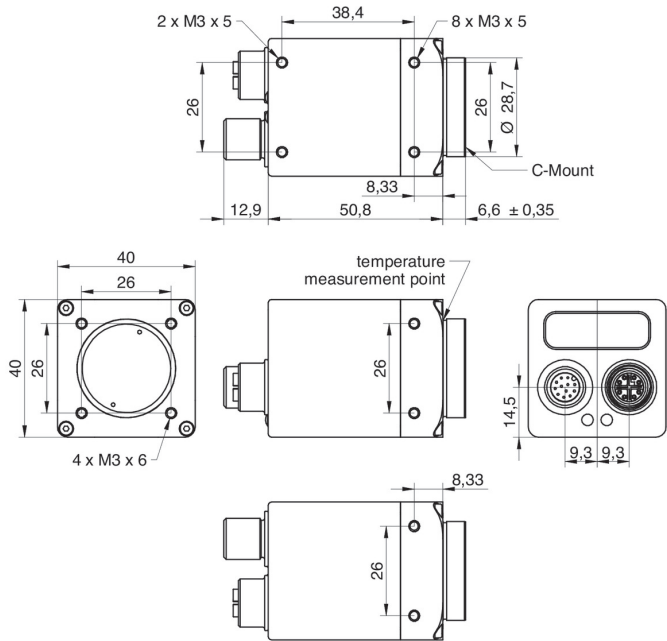
Conformity	CE RoHS UL recognized KC (R-R-BkR-VCXG-51MI) EAC BIS-CRS (R-41207004)
------------	--

VCXG-32C.I

Gigabit Ethernet, 3,1 Megapixel, Color

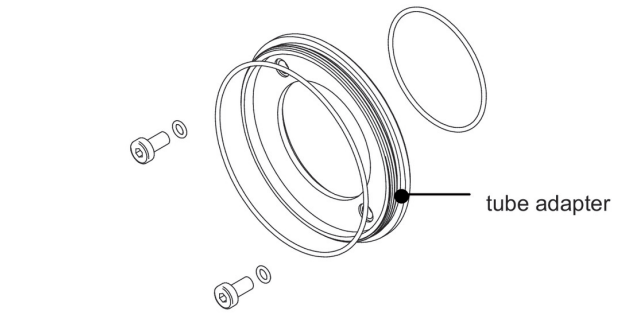
Article number: 11186790

Dimension drawing



Principle

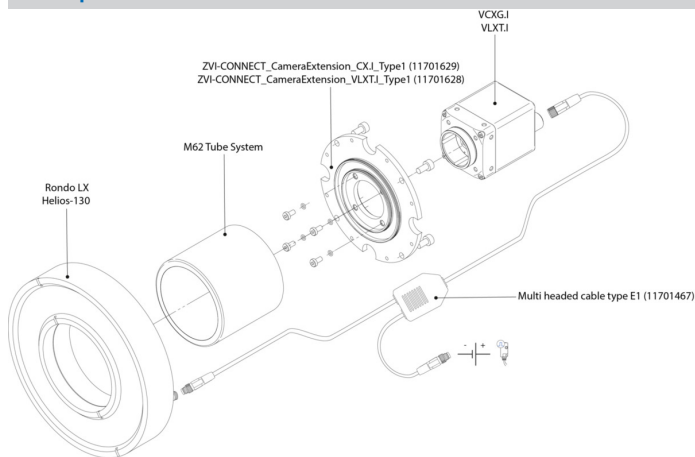
Optional accessories for protection class IP 65/67:



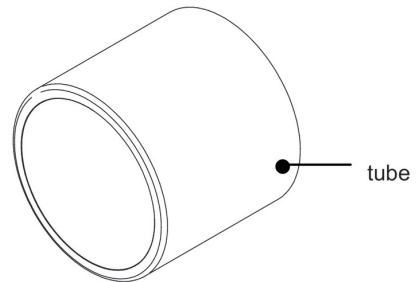
tube adapter

- hard-anodized, incl. sealing and screws
 Ø 49,5 mm (VCXG.I 11185373)
 Ø 65 mm (VCXG.I 11185377)
 Ø 95 mm (VCXG.I 11704311)
 Ø 65 mm (VLXT 11193125)
 Ø 95 mm (VLXT.EF 11704315)

Principle



tube



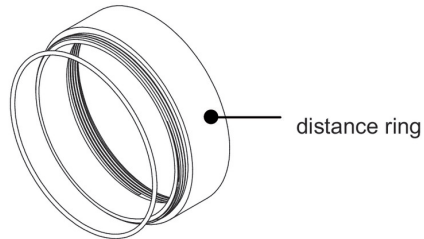
- hard-anodized, cover glass PMMA
 Ø 49,5 mm, Length 44 mm (11185370)
 Ø 65 mm, Length 58 mm (11185374)
 Ø 95 mm, length 70 mm (11704312)
- hard-anodized, tempered laminated safety glass
 Ø 49,5 mm, Length 44 mm (11701124)
 Ø 65 mm, Length 58 mm (11701125)

VCXG-32C.I

Gigabit Ethernet, 3,1 Megapixel, Color

Article number: 11186790

Principle



distance ring

- hard-anodized, incl. sealing
 - Ø 49,5 mm, Length 6 mm (11185372)
 - Ø 49,5 mm, Length 12 mm (11185371)
 - Ø 49,5 mm, Length 36 mm (11211571)

 - Ø 65 mm, Length 6 mm (11185376)
 - Ø 65 mm, Length 12 mm (11185375)
 - Ø 65 mm, Length 36 mm (111988906)

 - Ø 95 mm, length 6 mm (11704395)
 - Ø 95 mm, length 12 mm (11704397)
 - Ø 95 mm, length 36 mm (11704394)