

**Overview**

- Best measuring performance due to precise measuring principle
- Simple teach-in via qTeach or line teach
- Shortest blind zone in its class
- High performance in compact housing
- Metal connector



Picture similar



**Technical data**

**General data**

Scanning range Sd	20 ... 1000 mm
Scanning range close limit Sdc	20 ... 1000 mm
Scanning range far limit Sde	20 ... 1000 mm
Hysteresis typ.	4 % Sde
Repeat accuracy	0.5 mm
Resolution	< 0.3 mm
Response time ton/toff standard	< 60 ms
Response time ton/toff min	< 24 ms
Temperature drift	< 2 % of distance to target Sde
Power-up drift	Compensated after 15 min.
Sonic frequency	220 kHz
Adjustment	qTeach, line-Teach
Light indicator	LED yellow
Power on indication	LED green
Alignment measuring axis	< 2°

**Electrical data**

Voltage supply range +Vs	12 ... 30 VDC
Current consumption typ.	10 mA
Output circuit	Voltage output
Output signal	0 ... 10 V / 10 ... 0 V
Load resistance	> 10 kOhm
Residual ripple	< 10 % Vs
Short circuit protection	Yes
Reverse polarity protection	Yes, Vs to GND

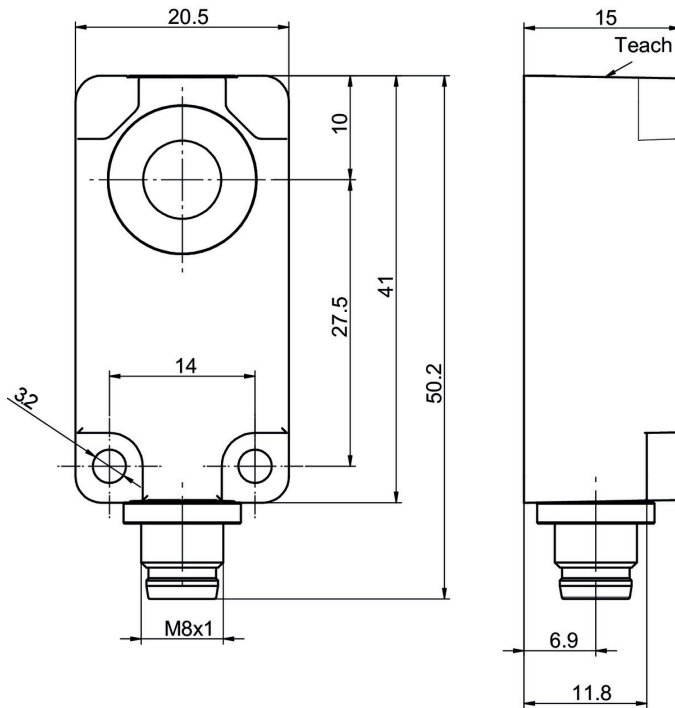
**Mechanical data**

Design	Rectangular
Housing material	Plastic (ASA, PMMA)
Width / diameter	20.5 mm
Height / length	41 mm
Depth	15 mm
Connection types	Connector M8 4 pin

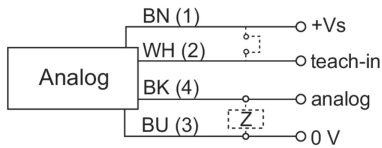
**Ambient conditions**

Operating temperature	-25 ... +65 °C
Storage temperature	-25 ... +75 °C
Protection class	IP 67

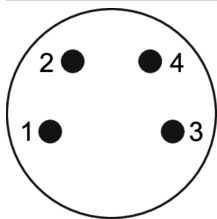
**Dimension drawing**



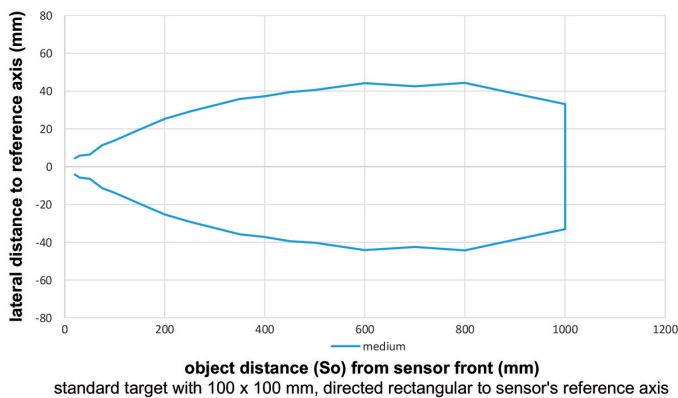
**Connection diagram**



**Pin assignment**



**Typical sonic cone profile**



**Accessories****Mounting accessories**

11727892	Mounting plate series UF200 and UF300
11707688	Mounting rod 200 mm
11707685	Mounting rod with mounting plate holder 200 mm
11707697	Mounting rod 250 mm
11707698	Mounting rod with mounting plate holder 250 mm
11707687	Mounting rod 300 mm
11707686	Mounting rod with mounting plate holder 300 mm
11707702	Mounting base
11707703	Two-way connector
10150326	10150326
10153290	ZUSDF-USS.S20