

Overview

- Best measuring performance due to precise measuring principle
- Simple teach-in via qTeach or line teach
- Shortest blind zone in its class
- High performance in compact housing
- Metal connector



Picture similar

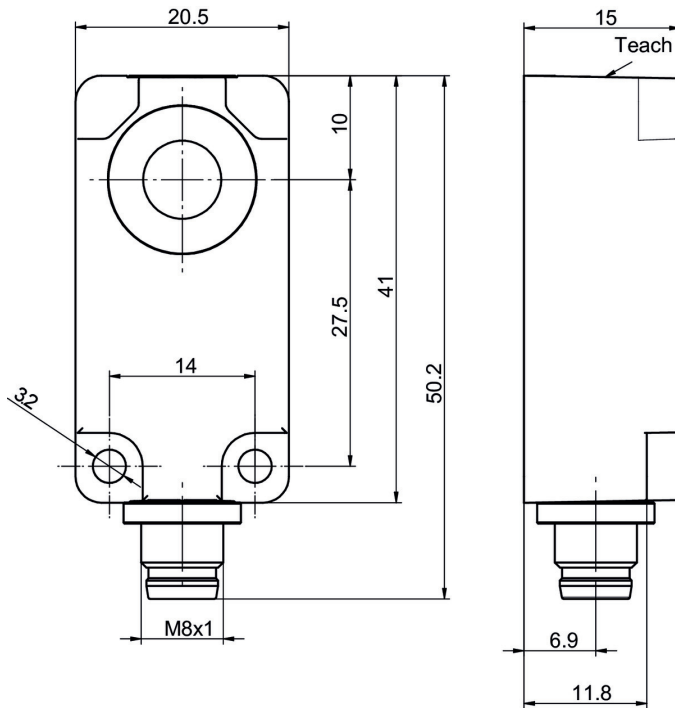


Technical data

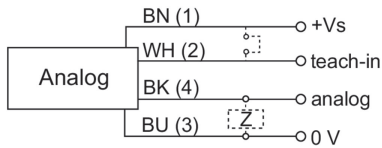
General data		Electrical data	
Scanning range Sd	10 ... 250 mm	Voltage supply range +Vs	12 ... 30 VDC
Scanning range close limit Sdc	10 ... 250 mm	Current consumption typ.	10 mA
Scanning range far limit Sde	10 ... 250 mm	Output circuit	Voltage output
Hysteresis typ.	4 % Sde	Output signal	0 ... 10 V / 10 ... 0 V
Repeat accuracy	0.5 mm	Load resistance	> 10 kOhm
Resolution	< 0.3 mm	Residual ripple	< 10 % Vs
Response time ton/toff standard	< 25 ms	Short circuit protection	Yes
Response time ton/toff min	< 10 ms	Reverse polarity protection	Yes, Vs to GND
Temperature drift	< 2 % of distance to target Sde	Mechanical data	
Power-up drift	Compensated after 15 min.	Design	Rectangular
Sonic frequency	370 kHz	Housing material	Plastic (ASA, PMMA)
Adjustment	qTeach, line-Teach	Width / diameter	20.5 mm
Light indicator	LED yellow	Height / length	41 mm
Power on indication	LED green	Depth	15 mm
Alignment measuring axis	< 2°	Connection types	Connector M8 4 pin
		Ambient conditions	
		Operating temperature	-25 ... +65 °C
		Storage temperature	-25 ... +75 °C
		Protection class	IP 67

2025-03-12 The product features and technical data specified do not express or imply any warranty. Technical modifications subject to change.

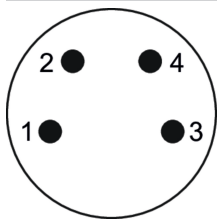
Dimension drawing



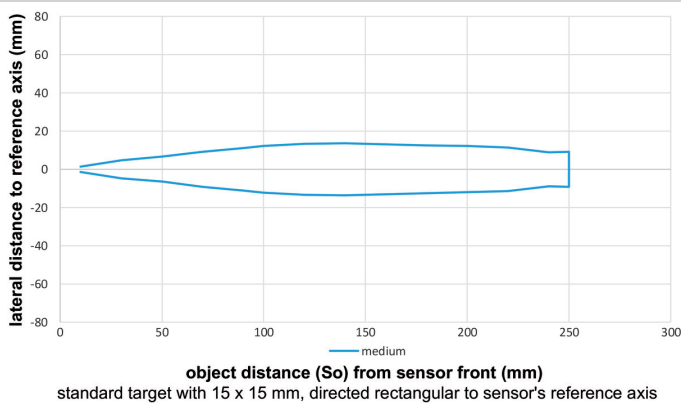
Connection diagram



Pin assignment



Typical sonic cone profile



Accessories**Mounting accessories**

11727892	Mounting plate series UF200 and UF300
11707688	Mounting rod 200 mm
11707685	Mounting rod with mounting plate holder 200 mm
11707697	Mounting rod 250 mm
11707698	Mounting rod with mounting plate holder 250 mm
11707687	Mounting rod 300 mm
11707686	Mounting rod with mounting plate holder 300 mm
11707702	Mounting base
11707703	Two-way connector
10150326	10150326
10153290	ZUSDF-USS.S20