

TDP0,2E LS-2 544203

Solid shaft with B5 flange, with own bearings

Article number: 11252180

Overview

- High signal quality even at low speeds thanks to silver graphite brush technology (CA)
- Open circuit voltage 120 V per 1000 rpm
- Temperature compensated
- B5 flange
- Solid shaft $\varnothing 14 \times 28$ mm with key
- Connection cable 15 m



HUBNER
BERLIN
A Baumer Brand

Technical data

Technical data - electrical ratings

Reversal tolerance	$\leq 0.1 \%$
Linearity tolerance	$\leq 0.15 \%$
Temperature coefficient	$\pm 0.05 \%/K$ (open-circuit)
Isolation class	B
Calibration tolerance	$\pm 1 \%$
Climatic test	Humid heat, constant (IEC 60068-2-3, Ca)
Performance	12 W (speed ≥ 3000 rpm)
Armature-circuit time-constant	$< 75 \mu s$
Open-circuit voltage	120 V per 1000 rpm
Interference immunity	EN 61000-6-2
Emitted interference	EN 61000-6-3
Approval	CE

Technical data - mechanical design

Size (flange)	$\varnothing 115$ mm
---------------	----------------------

Technical data - mechanical design

Shaft type	$\varnothing 14 \times 28$ mm solid shaft (with key)
Flange	B5 flange
Protection EN 60529	IP 55
Operating speed	≤ 10000 rpm
Torque	1.5 Ncm
Rotor moment of inertia	1.1 kgcm ²
Admitted shaft load	≤ 60 N axial ≤ 80 N radial
Material	Housing: aluminium die-cast Shaft: stainless steel
Operating temperature	-30...+130 °C
Resistance	IEC 60068-2-6 Vibration 10 g, 10-2000 Hz IEC 60068-2-27 Shock 300 g, 1 ms
Weight approx.	2.4 kg
Connection	Cable 15 m

TDP0,2E LS-2 544203

Solid shaft with B5 flange, with own bearings

Article number: 11252180

Terminal assignment

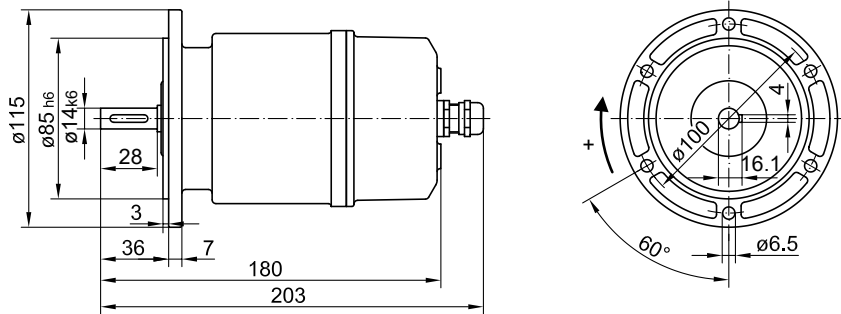
Pin	Wire colour	Assignment
A1	Brown	+
A2	Blue	-
Polarity for positive direction of rotation		

TDP0,2E LS-2 544203

Solid shaft with B5 flange, with own bearings

Article number: 11252180

Dimensions

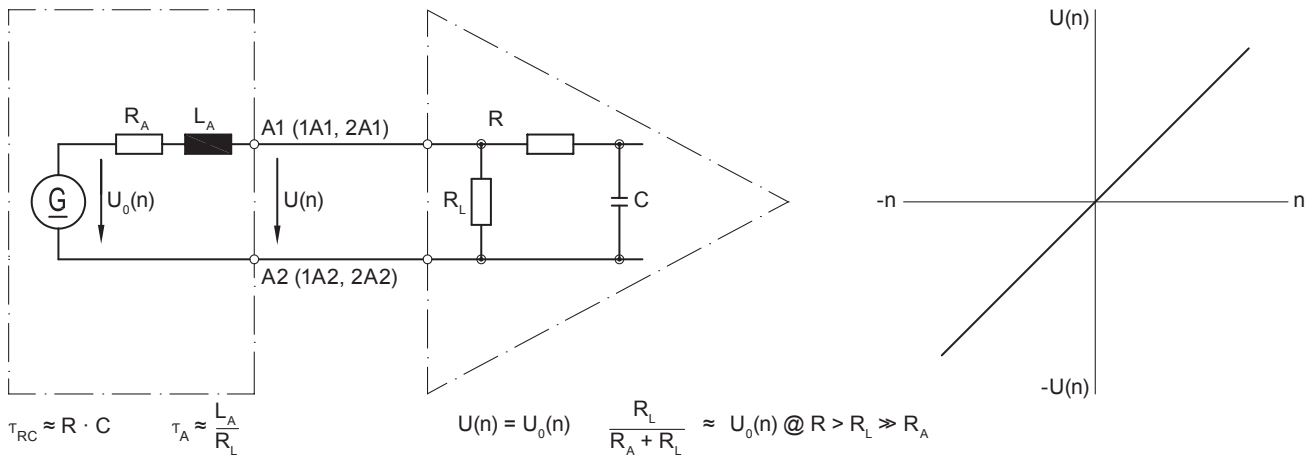


Data according to type

Type	Open-circuit voltage	Minimum load required depending on speed range [rpm]			Maximum operating speed	Armature resistance	Armature inductance
	U_0 [mV/rpm]	0-3000 R_L [kΩ]	0-6000 R_L [kΩ]	0- n_{max} R_L [kΩ]	n_{max} [rpm]	R_A (20°C) [Ω]	L_A [mH]
TDP0,2E LS-2	120	≥11	-	≥30	5000	407	789
Superimposed ripple (for $\tau_{RC} = 0.7$ ms):		≤0.5% (peak-peak)		≤0.2% (rms)			

Equivalent circuit diagram

Tachogenerator



Polarity for positive rotating direction (see dimension) / A1 (1A1, 2A1): + (VDE) / A2 (1A2, 2A2): - (VDE)

Accessories

Mounting accessories

- Spring disk coupling K 35 (shaft $\varnothing 6 \dots 12$ mm)
- Spring disk coupling K 50 (shaft $\varnothing 11 \dots 16$ mm)
- Spring disk coupling K 60 (shaft $\varnothing 11 \dots 22$ mm)