

# TDP0,2 LT-7 B10 55

Solid shaft with EURO flange B10 and own bearings

Article number: 11070731

## Overview

- Open circuit voltage 20 mV per rpm
- EURO flange B10
- LongLife commutator thanks to silver track with constantly low contact resistance for high signal quality
- Specially adapted brushes for maintenance-free operation and long service life
- Wide adjustable speed range
- Low response time
- Very high resistance to shock



Picture similar



**HUBNER**  
BERLIN  
A Baumer Brand

## Technical data

### Technical data - electrical ratings

Reversal tolerance	≤0.1 %
Linearity tolerance	≤0.15 %
Temperature coefficient	± 0.05 %/K (open-circuit)
Isolation class	B
Calibration tolerance	±1 %
Climatic test	Humid heat, constant (IEC 60068-2-3, Ca)
Performance	12 W (speed ≥3000 rpm)
Armature-circuit time-constant	<75 μs
Open-circuit voltage	20 mV per rpm
Interference immunity	EN 61000-6-2
Emitted interference	EN 61000-6-3
Approval	CE CSA

### Technical data - mechanical design

Size (flange)	ø115 mm
---------------	---------

### Technical data - mechanical design

Shaft type	ø11 mm solid shaft (with key)
Flange	EURO flange B10
Protection EN 60529	IP 55
Operating speed	≤10000 rpm
Torque	1.5 Ncm
Rotor moment of inertia	1.1 kgcm <sup>2</sup>
Admitted shaft load	≤60 N axial ≤80 N radial
Material	Housing: aluminium die-cast Shaft: stainless steel
Operating temperature	-30...+130 °C
Resistance	IEC 60068-2-6 Vibration 10 g, 10-2000 Hz IEC 60068-2-27 Shock 300 g, 1 ms
Weight approx.	2.4 kg
Connection	Terminal box

## TDP0,2 LT-7 B10 55

Solid shaft with EURO flange B10 and own bearings

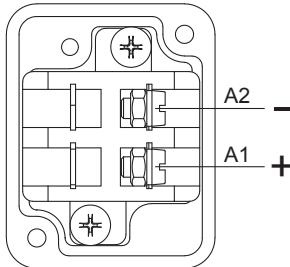
Article number: 11070731

### Terminal assignment

#### View A (see dimension)

Connecting terminal tachogenerator TDP

Polarity for positive rotating direction

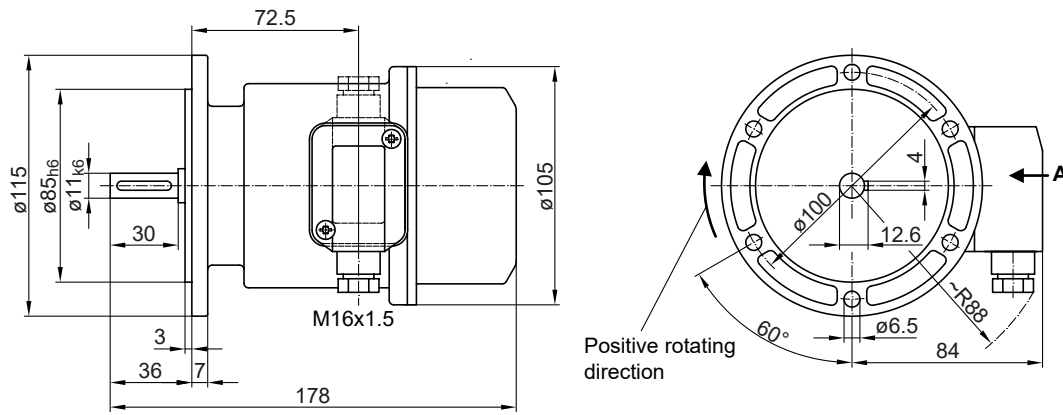


# TDP0,2 LT-7 B10 55

Solid shaft with EURO flange B10 and own bearings

Article number: 11070731

## Dimensions



# TDP0,2 LT-7 B10 55

Solid shaft with EURO flange B10 and own bearings

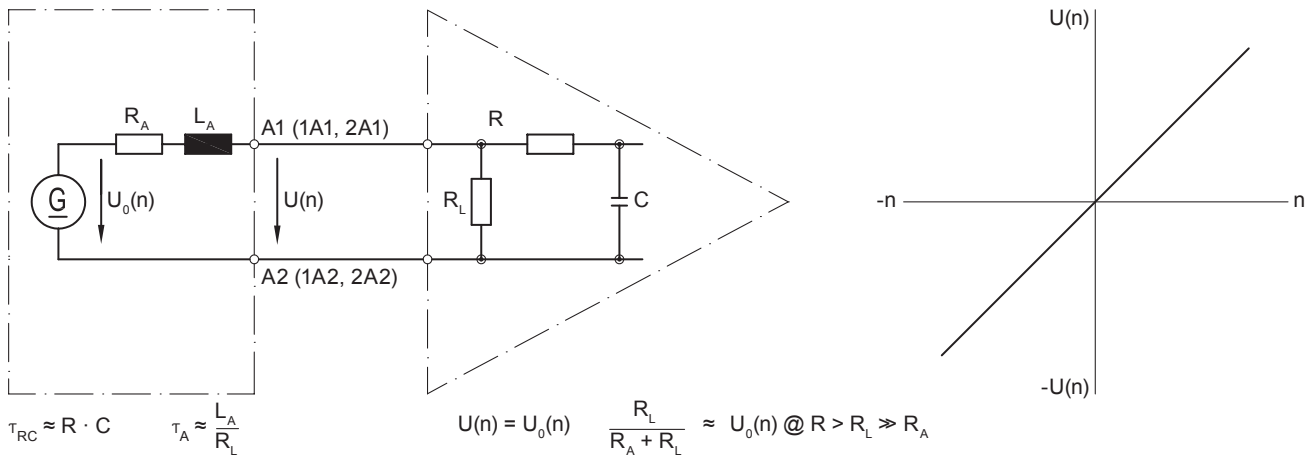
Article number: 11070731

## Data according to type

Type	Open-circuit voltage $U_0$ [mV/rpm]	Minimum load required depending on speed range [rpm]			Maximum operating speed $n_{max}$ [rpm]	Armature resistance $R_A$ (20°C) [Ω]	Armature inductance $L_A$ [mH]
		0-3000 $R_L$ [kΩ]	0-6000 $R_L$ [kΩ]	0- $n_{max}$ $R_L$ [kΩ]			
TDP0,2 LT-7	20	≥0.3	≥1.2	≥3.3	10000	11	23
Superimposed ripple (for $\tau_{RC} = 0.7$ ms):		≤0.5% (peak-peak)		≤0.2% (rms)			

## Equivalent circuit diagram

Tachogenerator



Polarity for positive rotating direction (see dimension) / A1 (1A1, 2A1): + (VDE) / A2 (1A2, 2A2): - (VDE)

## Accessories

### Mounting accessories

	Spring disk coupling K35 (shaft ø6...12 mm)
	Spring disk coupling K 50 (shaft ø11...16 mm)
11064874	Spring disk coupling K60 WD 11PF4 + 12PF4

### Spare parts

11248748	Maintenance kit for TDP0,2
----------	----------------------------