

Overview

- Input: NPN, PNP, Namur, TTL, 10...600 VAC
- Reading as 1/s, 1/min, 1/h, programmable
- Display range can be linearised
- Frequency 0.01 Hz...7 kHz
- Period duration measurement
- LED display, 4-digits, programmable
- DIN housing 48 x 24 mm


Technical data
Technical data - electrical ratings

Voltage supply	85...265 VAC 100...300 VDC
Nominal frequency	50 / 60 Hz
Power consumption	5 W
Sensor supply	5 V, 8 V or 12 V programmable / 60 mA
Display	LED, 7-segment display (with 60 unit stickers for front)
Display color	1 color - red
Number of digits	4-digits
Digit height	10 mm
Display range	9999 ("OuE" to signal overflow)
Display refresh	0.1 ... 9.9 s (programmable)
Function	Digital display of frequency or speed
Programmable parameters	Measuring units 1/h, 1/min, 1/s Sensor logic Decimal point Sensor supply Impulse evaluation Relay outputs with time delay or hysteresis
Limits	2
Measuring principle	Period duration measurement
Inputs	NPN PNP Namur TTL Current 10...600 VAC

Technical data - electrical ratings

Counting frequency	0.01 Hz...7 kHz (20 Hz if contact input)
Scaling factor	1...9999
Data memory	>10 years in EEPROM
Analog output	Without
Outputs relay	2 normally open contact
Standard DIN EN 61010-1	ISO 16750-2 (Electrical loads)
Emitted interference	EN 61000-6-3
Interference immunity	EN 61000-6-2

Technical data - mechanical design

Ambient temperature	-10...+60 °C
Storage temperature	-25...+85 °C
Relative humidity	95 % non-condensing
Connection	Spring-loaded terminal connector, detachable
Core cross-section	1 mm ² (Grid 2.54) 2.5 mm ² (Grid 7.62)
Protection EN 60529	IP 65 (face)
Operation / keypad	3 softkeys below bezel
Housing type	Built-in housing
Dimensions W x H x L	1/32 DIN 48 x 24 x 136 mm
Cutout dimensions	45 x 22.2 mm (+0.3)
Mounting depth	125 mm
Mounting type	Front panel installation by clip frame
Weight approx.	100 g
Material	Housing: Polycarbonate, UL 94V-0

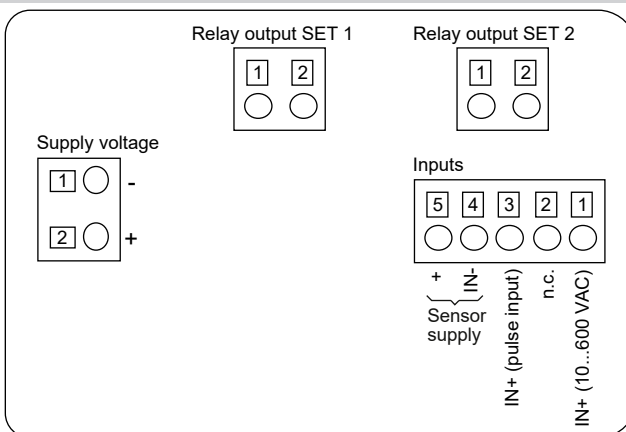
Inputs and outputs

Signal input	Specification
PNP	High level >2.6 V Low level <2.4 V Input resistance 1.5 kΩ
NPN	High level >2.6 V Low level <2.4 V Input resistance 3.9 kΩ
NAMUR	I _{on} <1 mA, I _{off} >3 mA Input resistance 1.5 kΩ
Magnetic sensor	V _{in} >30 mV _{eff} at 60 Hz V _{in} >300 mV _{eff} at 6 kHz
Contact	Input resistance 3.9 kΩ
Voltage 10...600 VAC	Measuring the frequency of the voltage

Relay outputs (SET 1, SET 2)

Switching voltage max.	250 VAC / 110 VDC
Switching current max.	1 A
Switching performance max.	150 VA / 30 W

Connection diagram

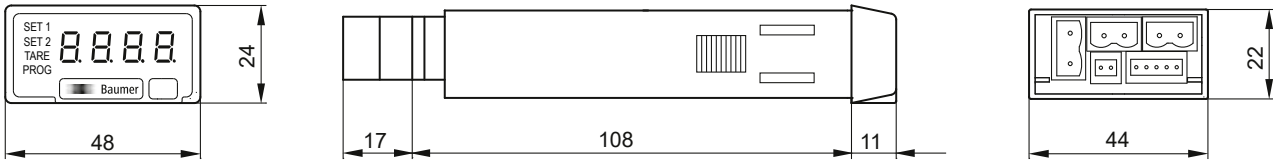


TA1220.014AX01

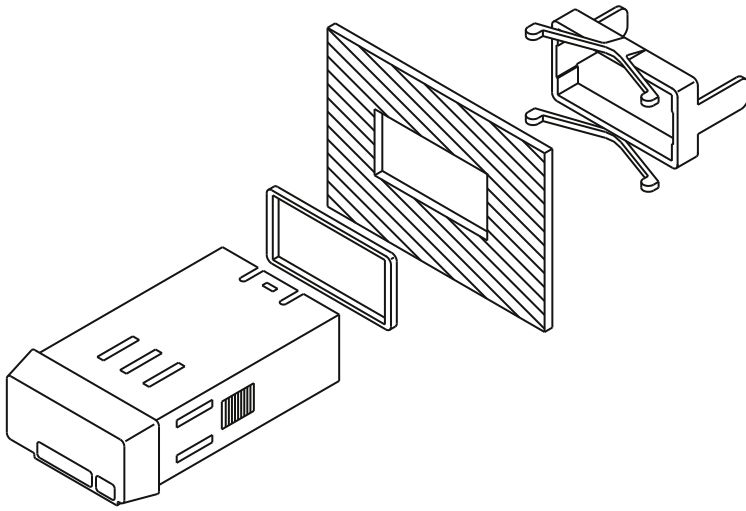
For RPM, speed, frequency, with 2 limits

Article number: 11041734

Dimensions



TA1220 - without clip frame



Clip frame mounting