

Off-highway multi-object radar sensor.

Designed for reliability

Radar sensor technology is quickly penetrating the agriculture and off-highway machinery market due to its robust, non-contact measurement and measurement speed. Baumer off-highway radar sensors, designed for reliability, improve end customer uptime and productivity. The proven Baumer radar design and full industry compliance reduces R&D cost and time to market.

- 122 GHz band usable in major Ag markets
- Output of up to eight objects (distance / confidence / speed) allows for higher level signal processing
- Rugged connector, lens protection, rectangular flat backside mounting
- Tested according to the highest off-highway industry standards
- Robust against environmental influences such as wind, temperature, humidity
- High pressure wash from all sides



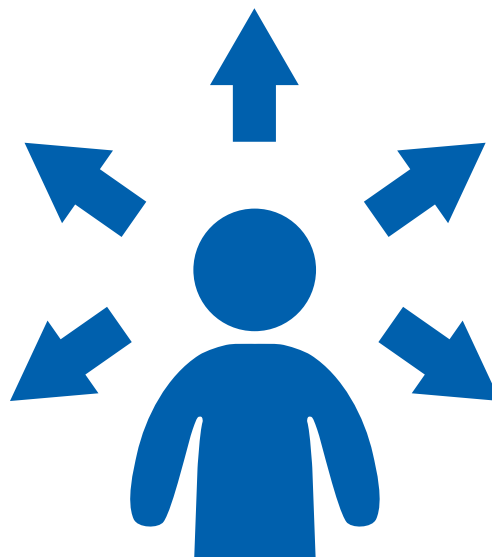
Multi-object data output provides the necessary flexibility for own application solutions

122 GHz design suitable for major Ag markets improves time to market

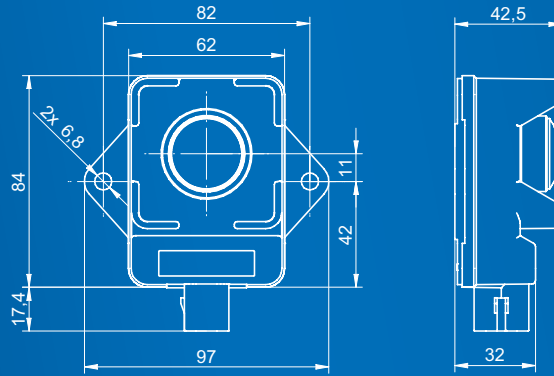
High reliability, automotive grade design and plastic housing reduces sensor fails and warranty issues

Simple and easy design-in due to full industry compliance (EN ISO 14982, ISO 13766, EN 13309, EN 61000-6-2, EN 61000-6-3, EN 305550)*

Fully sealed plastic housing (IP 69K) and robust sensor surfaces allow for easy cleaning without damage



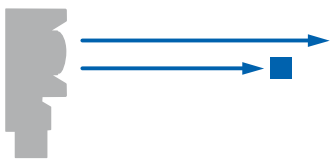
Product overview R600V multi-object radar sensor



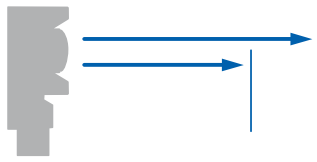
Part number	Electrical specification	Mechanical interface	Ambient conditions	Output function
R600V.DAH5-11221283*	Supply voltage: 9 V ... 32 V (12 VDC / 24 VDC vehicle power)	Automotive grade plastic flat back housing: 97 mm × 101 mm × 43 mm Matching connector: Ampseal 16 4P (776524-1)	Storage temperature: −40 °C ... +85 °C Operating temperature: −40 °C ... +70 °C	Sensing range: 300 mm ... 8500 mm CAN SAE J1939, 250 kbit/s Distance and confidence values

* Each application must be validated by the customer. Intellectual property rights may exist for some applications and / or end use cases.

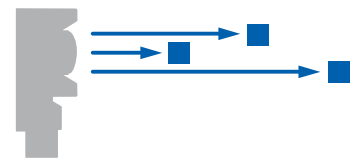
Exemplary application areas for Baumer multi-object radar sensors.



Simultaneous measurement of smaller objects in front of a defined target



Simultaneous measurement of two defined targets



Simultaneous measurement of a multitude of (smaller) objects

Learn more about the Baumer radar sensor at www.baumer.com/radar

Find your local partner: www.baumer.com/worldwide