

Off-highway distance radar.

Designed for reliability

Radar sensor technology is quickly penetrating the agriculture and off-highway machinery market due to its robust, non-contact measurement and measurement speed. Baumer off-highway radar sensors, designed for reliability, improve end customer uptime and productivity. The proven Baumer radar design and full industry compliance reduces R&D cost and time to market.

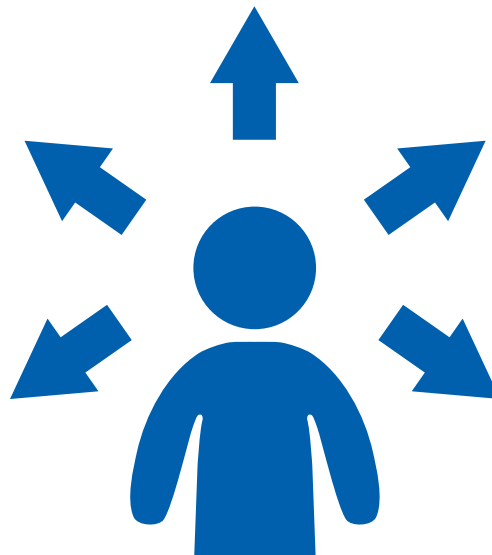
- 122 GHz band usable in major Ag markets
- Baumer radar signal processing delivers superior measurement speed and accuracy
- Heavy duty connector, lens protection, rectangular flat backside mounting
- Tested according to the highest off-highway industry standards
- Robust against environmental influences such as wind, temperature, humidity
- High pressure wash from all sides



Proven Baumer signal processing for fast and accurate distance measurement reduces integration effort

122 GHz design suitable for major Ag markets improves time to market

High reliability, automotive grade design and plastic housing reduces sensor fails and warranty issues

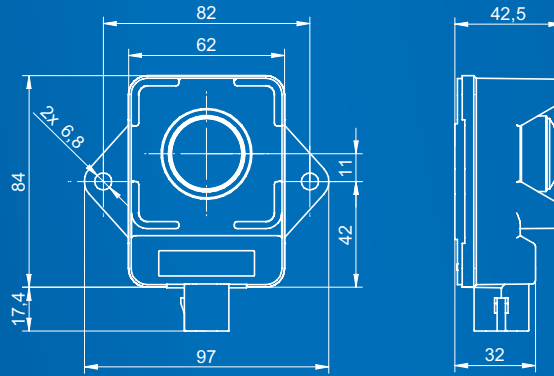


Simple and easy design-in due to full industry compliance (EN ISO 14982, ISO 13766, EN13309, EN 61000-6-2, EN 61000-6-3, EN 305550)*

Fully sealed plastic housing and lens protection avoids accidental damage and allows for easy cleaning

* For details refer to the declaration of conformity

Product overview R600V high accuracy distance radar



Part number	Electrical specification	Mechanical interface	Ambient conditions	Output function
R600V.DAH5-11205779*	Supply voltage: 9 V ... 32 V (12 VDC / 24 VDC vehicle power)	Automotive grade plastic flat back housing: 97 mm × 101 mm × 43 mm Matching connector: Ampseal 16 4P (776524-1)	Storage temperature: −40 °C ... +85 °C Operating temperature: −40 °C ... +70 °C	Sensing range: 300 mm ... 8500 mm CAN SAE J1939, 250 kbit/s Distance and confidence values

* Each application must be validated by the customer. Intellectual property rights may exist for some applications and / or end use cases.

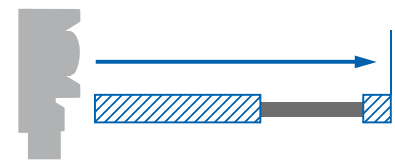
Exemplary application areas for Baumer distance radar sensors.



Distance measurement on a corner cube



Distance measurement on a metal plate



Hydraulic cylinder position

 **Baumer**
Passion for Sensors

Baumer Group
International Sales
P.O. Box · Hummelstrasse 17 · CH-8501 Frauenfeld
Phone +41 (0)52 728 1122 · Fax +41 (0)52 728 1144
sales@baumer.com · www.baumer.com

Learn more about the Baumer radar sensor at
www.baumer.com

Find your local partner: www.baumer.com/worldwide