



Quick Start Guide  
Housing Base Set C V4A VCXG.I r IP65/67

Download latest camera software:  
[www.baumer.com/vision/software](http://www.baumer.com/vision/software)

Download latest technical documentation:  
[www.baumer.com/cameras/docs](http://www.baumer.com/cameras/docs)

**Product Specification**

**Housing Base Set C V4A VCXG.I r IP65/67**

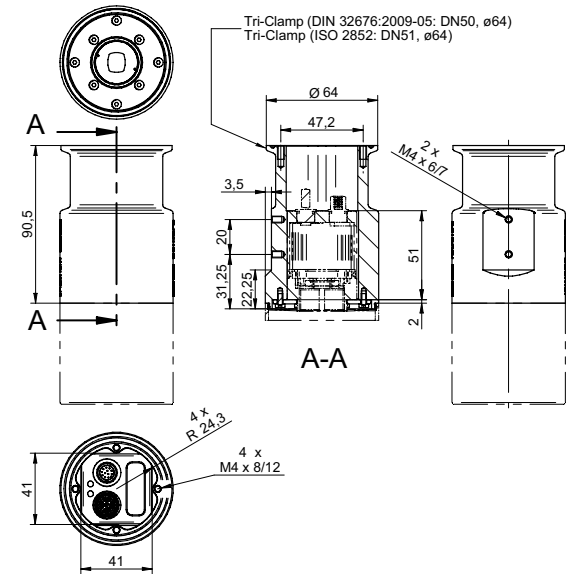
- for VCXG.I (.XT) cameras
- for VCXG / VCXU camera (with Adapter CX- /CX.I-Mount)
- for VCXG.XC / VCXU.XC cameras
- Stainless steel 1.4404
- Compact size
- Robust construction
- Vibration-proof mounting
- IP 65/67 rating
- Design according to EHEDG guidelines: Hygienic design with 3 mm radii (wash-down design) and hygienic surface (roughness < 0.8 µm, electropolished)
- Excellent heat dissipation

**Caution**

The suitability of the product for the users application **with its specific conditions of practice has to be tested and guaranteed by the user himself.**

For special applications, please contact us in writing. We reserve the right to make technical changes.

**Dimensions**



**Conformity / Environmental Requirements**

**Conformity**



The products complies with the recommendation of the European Union concerning RoHS Rules.

**Environmental Requirements**

**Environmental Requirements**

Storage temperature	-15 °C (-5 °F) ... 70 °C (158 °F)
Operating temperature	-15 °C (-5 °F) ... 70 °C (158 °F)
Humidity	10 % ... 90 % Non-condensing

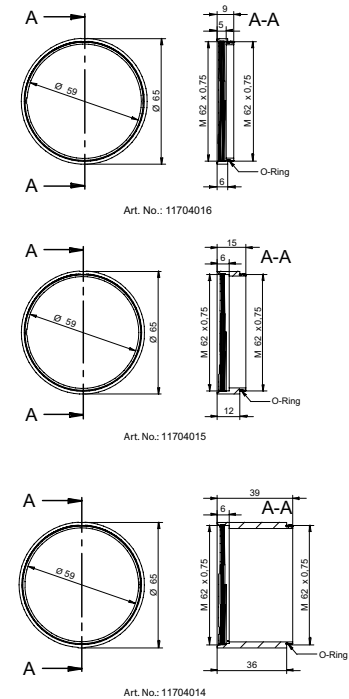
Ambient temperature above 50 °C (122 °F) requires heat dissipation measures.

**Safety Precautions**

**Caution**

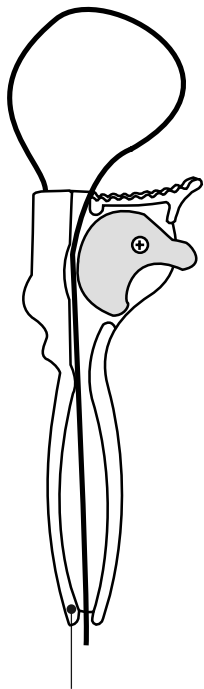
- Inappropriate handling of the enclosure or any parts thereof may lead to a leaky enclosure and may cause damage to the enclosed camera. Baumer can take no liability for damages caused by improper handling.
- The products have been designed for a typical machine vision application where the camera set-up is done once in order to build an application. Frequent disassembly of the enclosure requires all seals and gaskets to be renewed.
- Baumer uses the best possible sealing materials for typical applications. However every application is different - please check if our sealing material is durable under the use intended.
- Do not assemble the enclosure if any parts are damaged – this counts especially for the seals and sealing flanges of the enclosure!
- The enclosure front / rear lid is properly tightened when the seals are flush with the enclosure. Do not over-tighten the lids in a way that the seal protude over the enclosure walls.

**Tube Moduls**



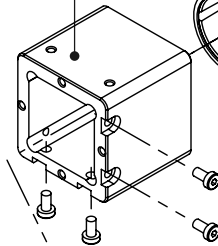
**Further Information**  
For further information on our products visit [www.baumer.com](http://www.baumer.com)  
For technical issues, please contact our technical support:  
[support\\_cameras@baumer.com](mailto:support_cameras@baumer.com) · Phone +49 (0)3528 4386-0 · Fax +49 (0)3528 4386-86  
© Baumer Optronic GmbH · Badstrasse 30 · DE-01454 Radeberg, Germany

Technical data has been fully checked, but accuracy of printed matter not guaranteed.

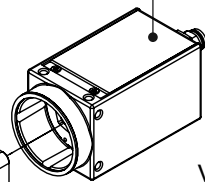


Optional Mounting Tool (Art. No.: 11208719)

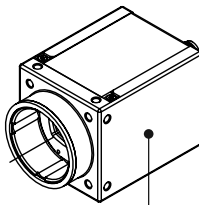
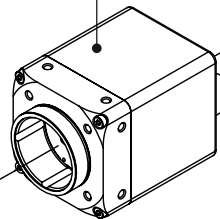
Adapter CX- / CX.I-Mount (Art. No.: 11731597)



VCXG / VCXU

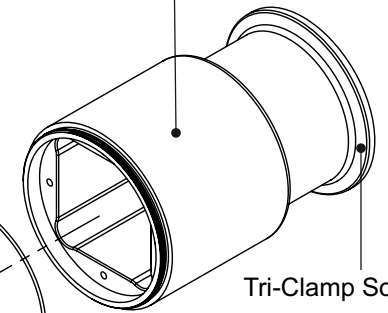


VCXG.I (.XT)



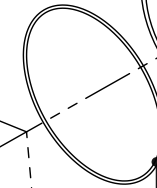
VCXG.XC / VCXU.XC

Housing Base Set C V4A VCXG.I r IP65/67

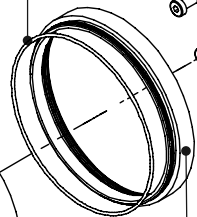


Tri-Clamp Socket

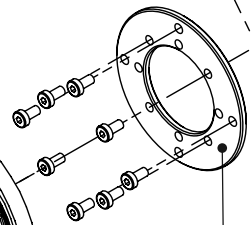
Sealing



Sealing



Camera Adapter



Tube Modul V4A (not included)

6 mm (Art. No.: 11704016)

12 mm (Art. No.: 11704015)

36 mm (Art. No.: 11704014)

Tube M62 V4A (not included)

Cover Glass: PMMA (Art. No.: 11704017)

Cover Glass: GLASS (Art. No.: 11704018)

Camera: not included

Sealing material: EPDM

