

POG 9 + ESL 93

Encoder with integrated electronic speed switch

Solid shaft with EURO flange B10 300...5000 pulses per revolution

Overview

- TTL output driver for cable length up to 550 m
- Electronic speed monitoring
- Circuit breaker with up to three selectable threshold speeds
- EURO flange B10 / solid shaft \varnothing 11 mm
- Terminal boxes, turn by 180°



Technical data

Technical data - electrical ratings (encoder)

Voltage supply	9...30 VDC; 5 VDC \pm 5 %
Consumption w/o load	\leq 100 mA
Pulses per revolution	300 ... 5000
Phase shift	90° \pm 20°
Duty cycle	40...60 %
Reference signal	Zero pulse, width 90°
Output frequency	\leq 120 kHz \leq 300 kHz (on request)
Output signals	K1, K2, K0 + inverted Error output (option EMS)
Output stages	HTL-P (power linedriver) TTL/RS422
Sensing method	Optical

Technical data - electrical ratings (speed switch)

Voltage supply	12 VDC \pm 10 %
Consumption w/o load	\leq 5 mA
Switching accuracy	\pm 4 % (\leq 1500 rpm) \pm 2 % ($>$ 1500 rpm)
Switching hysteresis	= 30 % of switching speed
Switching outputs	3 outputs, speed control
Current each output	40 mA (DC)
Switching delay time	\leq 40 ms

Technical data - mechanical design

Size (flange)	\varnothing 115 mm
---------------	----------------------

Technical data - mechanical design

Shaft type	\varnothing 11 mm solid shaft
Admitted shaft load	\leq 250 N axial \leq 350 N radial
Flange	EURO flange B10
Protection EN 60529	IP 56
Speed (n)	\leq 5000 rpm
Range of switching speed (ns)	3x 200...5000 rpm
Operating torque typ.	3 Ncm
Rotor moment of inertia	220 gcm ²
Material	Housing: aluminium die-cast Shaft: stainless steel
Operating temperature	-20...+85 °C
Resistance	IEC 60068-2-6 Vibration 5 g, 10-2000 Hz IEC 60068-2-27 Shock 150 g, 1 ms
Corrosion protection	IEC 60068-2-52 Salt mist for ambient conditions C4 according to ISO 12944-2
Connection	Terminal box
Weight approx.	2 kg
Interference immunity	EN 61000-6-2
Emitted interference	EN 61000-6-3
Approval	CE

Optional

- Function control with EMS (Enhanced Monitoring System)

POG 9 + ESL 93

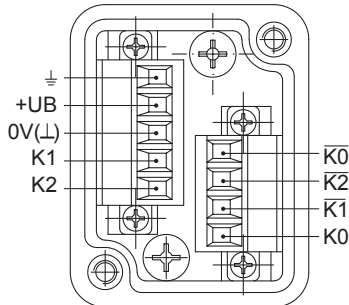
Encoder with integrated electronic speed switch

Solid shaft with EURO flange B10 300...5000 pulses per revolution

Terminal assignment

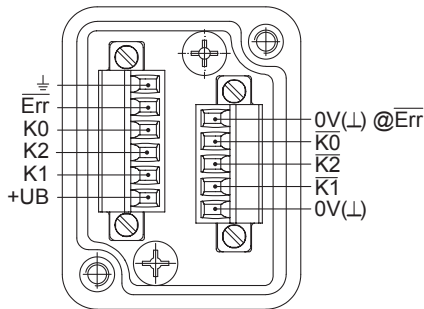
View A (see dimension)

Connecting terminal terminal box encoder



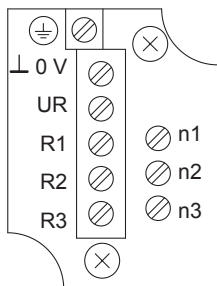
Option EMS: View A (see dimension)

Connecting terminal terminal box encoder



View B (see dimension)

Connecting terminal speed switch ESL 93



Terminal significance

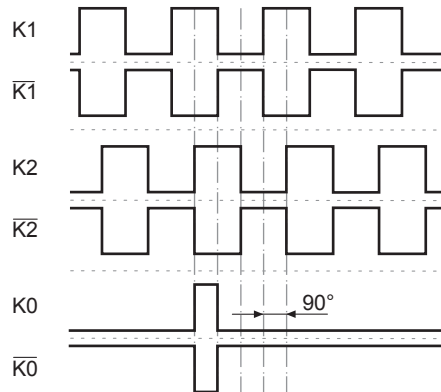
Encoder incremental

+UB	Voltage supply
0V (⊥)	Ground
⊥	Earth ground (housing)
K1	Output signal channel 1
$\bar{K}1$	Output signal channel 1 inverted
K2	Output signal channel 2 (offset by 90° to channel 1)
$\bar{K}2$	Output signal channel 2 inverted
K0	Zero pulse (reference signal)
$\bar{K}0$	Zero pulse inverted
\bar{Err}	Error output (option EMS)

Output signals

HTL/TTL

At positive rotating direction (see dimension)



Option EMS: Status LED / error output

Flash light red*	Error of signal sequence, zero pulse or pulses (Error output = HIGH-LOW alternation)
Red	Overload output transistors (Error output = LOW)
Flash light green	Device o.k., rotating (Error output = HIGH)
Green	Device o.k., stopped (Error output = HIGH)
No light	No voltage supply connection or wrong connection (Error output = LOW)

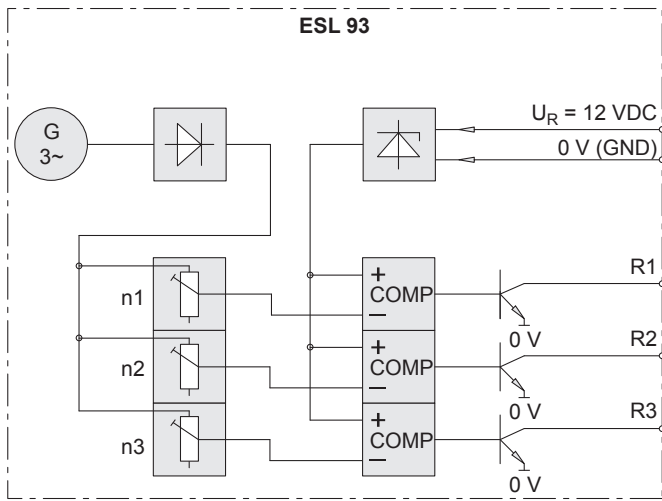
* Only at rotating device

POG 9 + ESL 93

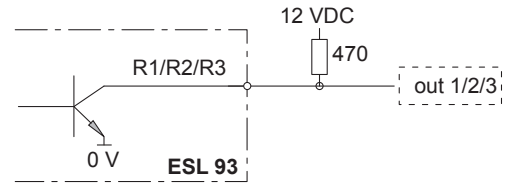
Encoder with integrated electronic speed switch

Solid shaft with EURO flange B10 300...5000 pulses per revolution

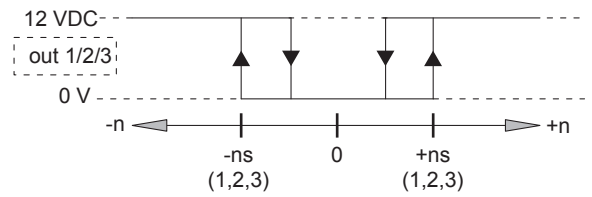
Block circuit diagram



Recommended output circuit



Switching characteristics



n = speed
ns = adjusted switching speed

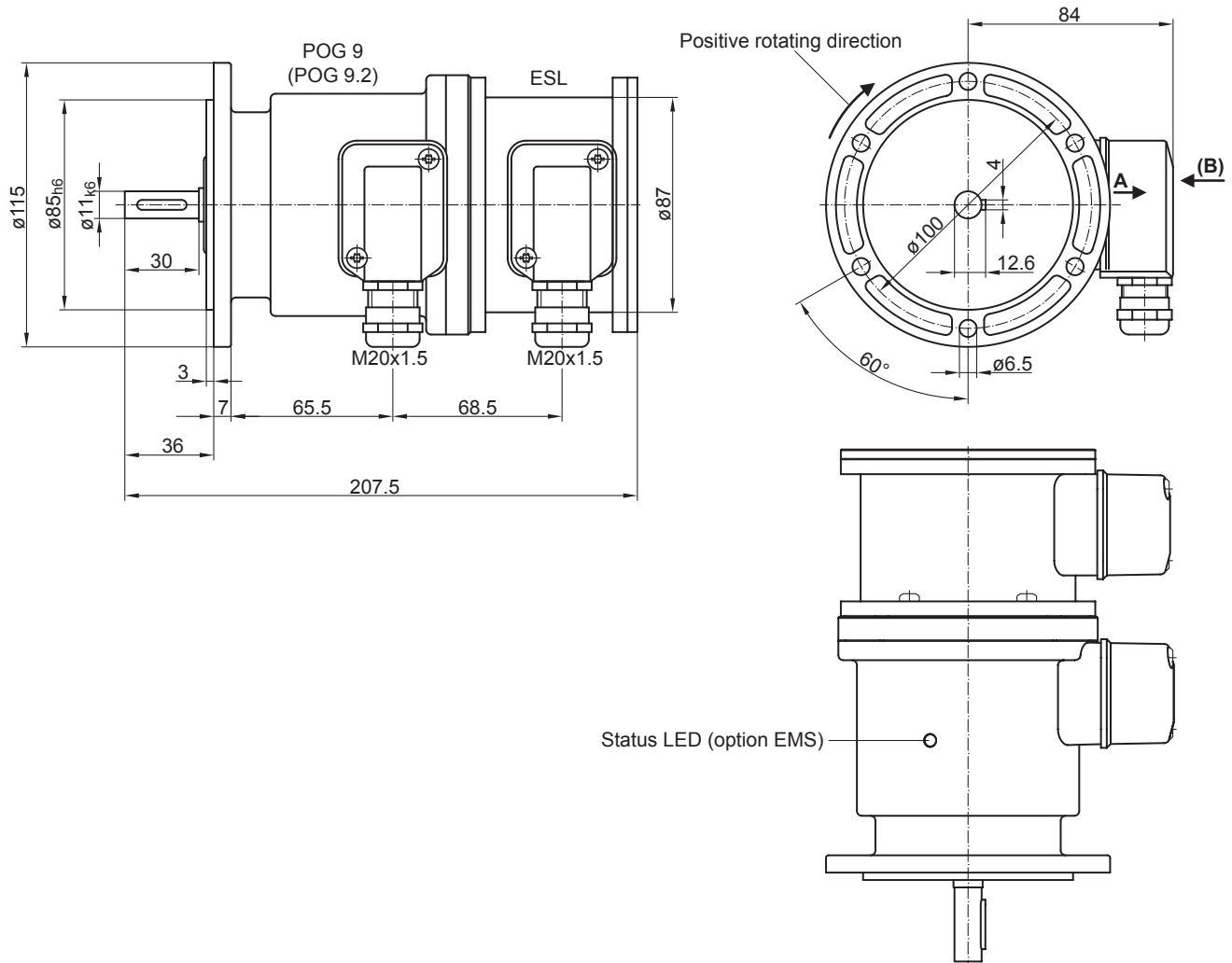
Speed switch ESL 93

POG 9 + ESL 93

Encoder with integrated electronic speed switch

Solid shaft with EURO flange B10 300...5000 pulses per revolution

Dimensions



POG 9 + ESL 93

Encoder with integrated electronic speed switch

Solid shaft with EURO flange B10 300...5000 pulses per revolution

Ordering reference

	POG9	##	DN	####	###	+ ESL93
Product									
Incremental encoder + Speed switch	POG9								
EMS - Enhanced Monitoring System									
Without EMS									
With EMS		.2							
Output signals									
K1, K2, K0			DN						
Pulse number⁽¹⁾									
300				300					
500				500					
512				512					
1000				1000					
1024				1024					
1200				1200					
2048				2048					
2500				2500					
3072				3072					
4096				4096					
5000				5000					
Voltage supply / output stage									
9...30 VDC / output stage HTL with inverted signals					I				
5 VDC / output stage TTL with inverted signals					TTL				
9...30 VDC / output stage TTL with inverted signals					R				
Version speed switch									
Electronic speed switch, 3 outputs, speed control						+ ESL93			
Switching speed 1 (ns1)									
200...5000 rpm ⁽²⁾								...	
Switching speed 2 (ns2)									
200...5000 rpm ⁽²⁾									...
Switching speed 3 (ns3)									
200...5000 rpm ⁽²⁾									...

(1) Other pulse numbers on request.

(2) Please specify the exact switching speed in addition to the part number (factory setting).

Accessories

Mounting accessories

Spring disk coupling K 35 (shaft ø6...12 mm)

Spring disk coupling K 50 (shaft ø11...16 mm)

Spring disk coupling K 60 (shaft ø11...22 mm)

Relay moduls

11054943 Relay modul ES 93 R