

POG 86

Solid shaft with EURO flange B10
500...5000 pulses per revolution

Overview

- Robust, compact housing
- Two bearings with large distance, one at each end
- High shaft load up to 350 N
- Shock resistant up to 300 g
- Highest operating speed 12000 rpm
- TTL output driver for cable length up to 550 m
- Terminal box, turn by 180°



HUBNER
BERLIN
A Baumer Brand

Technical data

Technical data - electrical ratings

Voltage supply	9...30 VDC 5 VDC ±5 %
Consumption w/o load	≤100 mA
Pulses per revolution	500 ... 5000
Phase shift	90 ° ±20°
Duty cycle	45...55 % 40...60 % (>3072 pulses)
Reference signal	Zero pulse, width 90°
Sensing method	Optical
Output frequency	≤170 kHz ≤300 kHz (on request)
Output signals	K1, K2, K0 + inverted Error output (option EMS)
Output stages	HTL-P (power linedriver) TTL/RS422
Interference immunity	EN 61000-6-2
Emitted interference	EN 61000-6-3
Approval	CE UL approval / E217823 / CSA

Technical data - mechanical design

Size (flange)	ø115 mm
Shaft type	ø11 mm solid shaft

Technical data - mechanical design

Admitted shaft load	≤250 N axial ≤350 N radial
Flange	EURO flange B10
Protection EN 60529	IP 56
Operating speed	≤12000 rpm (mechanical)
Operating torque typ.	2 Ncm
Rotor moment of inertia	200 gm ²
Material	Housing: aluminium, coated Shaft: stainless steel
Operating temperature	-40...+100 °C -25...+100 °C (>3072 pulses)
Resistance	IEC 60068-2-6 Vibration 10 g, 10-2000 Hz IEC 60068-2-27 Shock 300 g, 1 ms
Corrosion protection	IEC 60068-2-52 Salt mist for ambient conditions C4 according to ISO 12944-2
Explosion protection	II 3 G Ex ec IIC T4 Gc (gas) II 3 D Ex tc IIIB T135°C Dc (dust) (only with option ATEX)
Connection	Terminal box
Weight approx.	1.4 kg

Optional

- Function control with EMS (Enhanced Monitoring System)

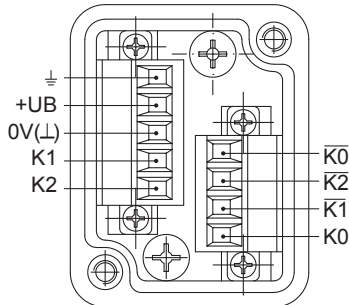
POG 86

Solid shaft with EURO flange B10
500...5000 pulses per revolution

Terminal assignment

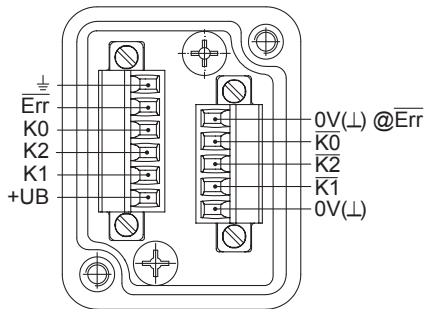
View A (see dimension)

Connecting terminal terminal box



Option EMS: View A (see dimension)

Connecting terminal terminal box



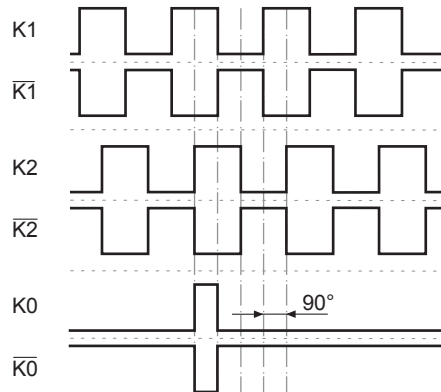
Terminal significance

+UB	Voltage supply
0V (L)	Ground
⊕	Earth ground (housing)
K1	Output signal channel 1
$\overline{K1}$	Output signal channel 1 inverted
K2	Output signal channel 2 (offset by 90° to channel 1)
$\overline{K2}$	Output signal channel 2 inverted
K0	Zero pulse (reference signal)
$\overline{K0}$	Zero pulse inverted
\overline{Err}	Error output (option EMS)

Output signals

HTL/TTL

At positive rotating direction (see dimension)



Option EMS: Status LED / error output

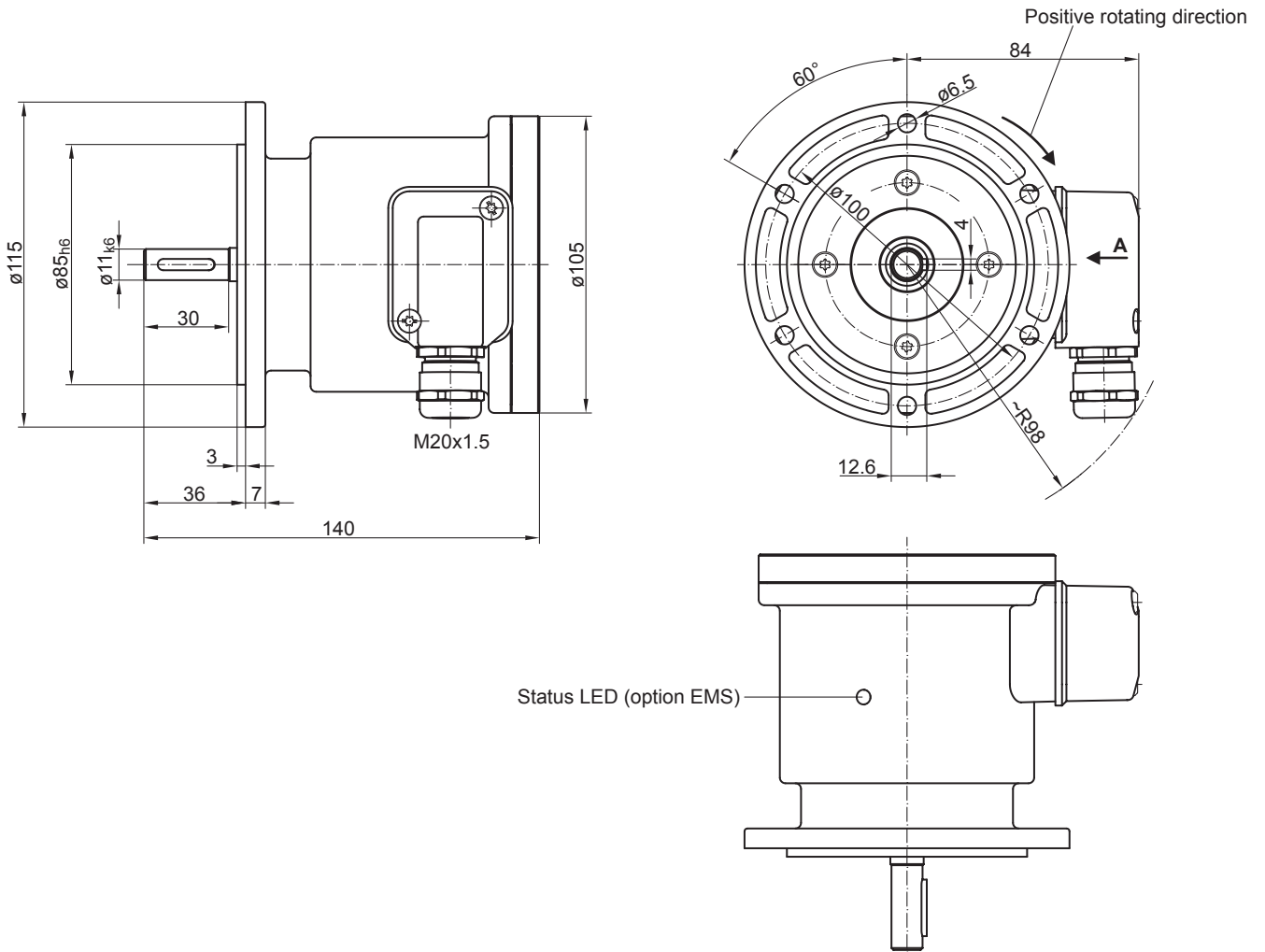
Flash light red*	Error of signal sequence, zero pulse or pulses (Error output = HIGH-LOW alternation)
Red	Overload output transistors (Error output = LOW)
Flash light green	Device o.k., rotating (Error output = HIGH)
Green	Device o.k., stopped (Error output = HIGH)
No light	No voltage supply connection or wrong connection (Error output = LOW)

* Only at rotating device

POG 86

Solid shaft with EURO flange B10
500...5000 pulses per revolution

Dimensions



POG 86

Solid shaft with EURO flange B10

500...5000 pulses per revolution

Ordering reference

	POG86	.	#	T	N	1	DN	#####	#
Product	Incremental encoder								
	POG86								
EMS Enhanced Monitoring System									
With EMS				2					
Without EMS				-					
Connection									
Terminal box, radial, M20 cable gland for 5 - 13mm cable				T					
Shaft insulation									
No shaft insulation					N				
Shaft diameter									
Solid shaft Ø11 mm						1			
Output signals									
K1, K2, K0 inverted signals							DN		
Pulse number⁽¹⁾									
500								500	
512								512	
1000								1000	
1024								1024	
1250								1250	
2048								2048	
2500								2500	
3072								3072	
4096								4096	
5000								5000	
Voltage supply / signals									
9...30 VDC / output stage HTL with inverted signals									I
5 VDC / output stage TTL with inverted signals									T
9...30 VDC / output stage TTL with inverted signals									R

(1) Other pulse numbers on request.

Accessories

Mounting accessories

Spring disk coupling K 35 (shaft ø6...12 mm)

Spring disk coupling K 50 (shaft ø11...16 mm)

Spring disk coupling K 60 (shaft ø11...22 mm)