

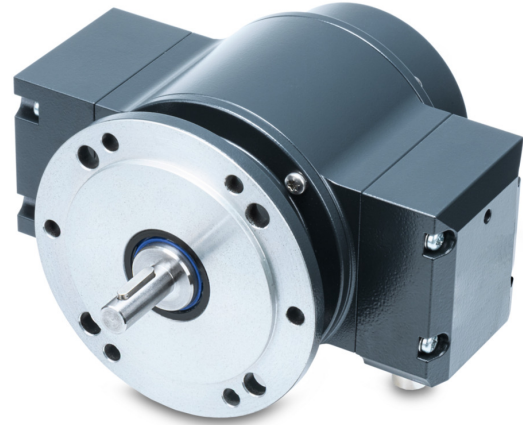
# PMG93 SN6.1.C10

Cam switch with 10 switching outputs, solid shaft  $\varnothing 11$  mm with EURO flange B10

Article number: 11726467

## Overview

- Digital cam switch
- 10 switching outputs
- Separate voltage supplies for cam switch and voltage supply
- Multiturn sensing with Energy Harvesting technology "MicroGen", without gear or battery
- Special design for use in hoist applications, with preset function for easy cable replacement
- Self-diagnosis
- Teach-in function for reference runs



Picture similar

**HUBNER**  
BERLIN  
A Baumer Brand

**microGen**  
Energy Harvesting

## Technical data

### Technical data - electrical ratings

Voltage supply	9...30 VDC
Consumption w/o load	$\leq 500$ mA
Function	Cam switch
Steps per revolution	4096 / 12 bit
Number of revolutions	4096 / 12 bit
Sensing method	Optical
Interference immunity	EN 61000-6-2
Emitted interference	EN 61000-6-3
Programming interface	Ethernet Webconfigurator
Programmable parameters	Cam switch
Approval	CE UL approval / E217823

### Technical data – electrical ratings (cam switch)

Output configuration	Push / open-drain
Resolution	1 step (1 LSB)
Switching voltage	9 ... 30 VDC
Switching delay time	$\leq 40$ ms
Switching outputs	10
Output current per switch	$\geq 10$ mA / $\leq 150$ mA

### Technical data - mechanical design

Size (flange)	$\varnothing 115$ mm
---------------	----------------------

### Technical data - mechanical design

Shaft type	$\varnothing 11$ mm solid shaft
Flange	EURO flange B10
Protection EN 60529	IP 66
Operating speed	$\leq 3500$ rpm
Operating torque typ.	10 Ncm
Rotor moment of inertia	1 kgcm <sup>2</sup>
Admitted shaft load	$\leq 450$ N axial $\leq 650$ N radial
Material	Housing: aluminium alloy Shaft: stainless steel
Corrosion protection	IEC 60068-2-52 Salt mist for ambient conditions CX (C5-M) according to ISO 12944-2
Operating temperature	-30...+85 °C
Relative humidity	95 % non-condensing
Resistance	IEC 60068-2-6 Vibration 30 g, 10-2000 Hz IEC 60068-2-27 Shock 400 g, 1 ms
Weight approx.	2.7 kg (depending on version)
Connection	Terminal box Connection for parameterization

# PMG93 SN6.1.C10

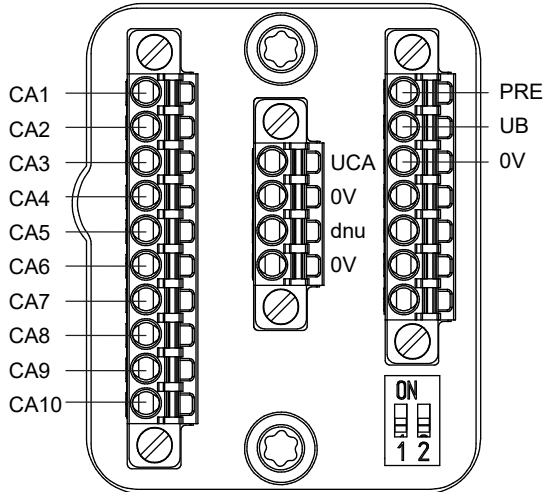
Cam switch with 10 switching outputs, solid shaft  $\varnothing 11$  mm with EURO flange B10

Article number: 11726467

## Terminal assignment

### Cam switch

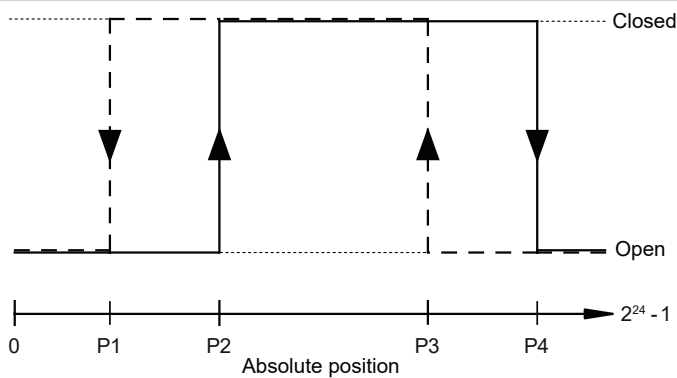
Connecting terminal / terminal box



## Terminal significance

PRE	Preset
UB	Voltage supply
0V	Ground
UCA	Voltage supply cam switch
CA1...CA10	Cam switch
dnu	Do not use

## Switching characteristics



Cam switch open or closed according to position. This allows for defining cams start and stop position as well as corresponding hysteresis switching thresholds.

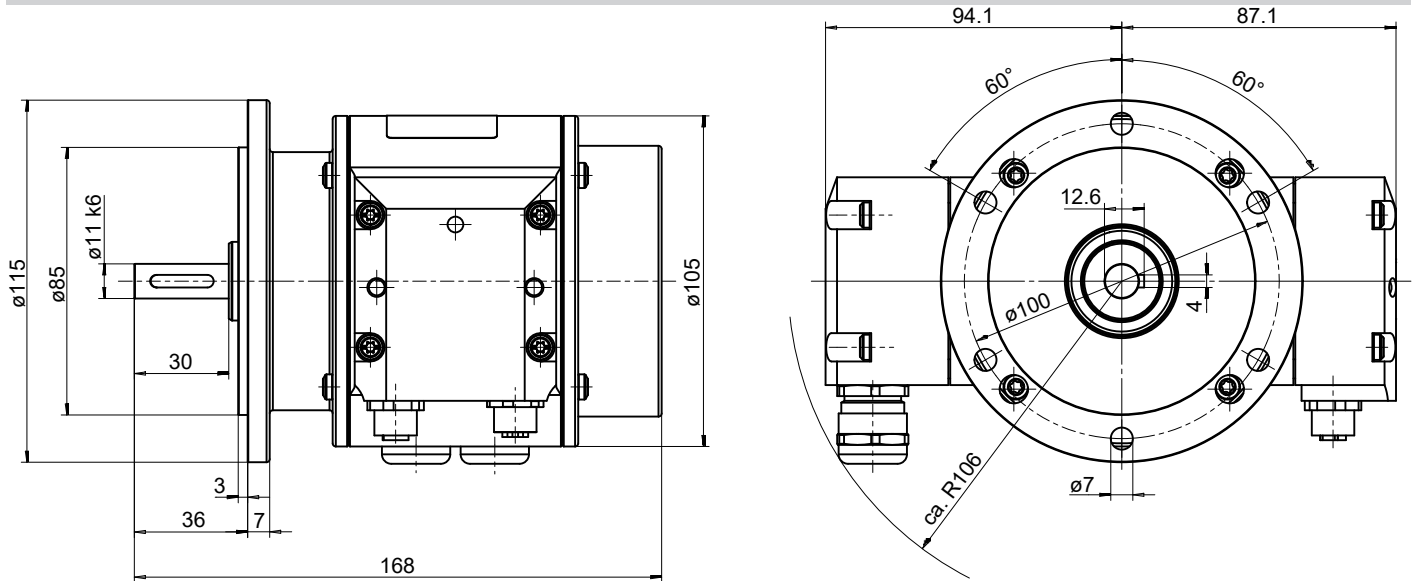
<b>P2</b>	Cam start position (switch on)
<b>P4</b>	Cam stop position (switch off)
<b>P3</b>	Hysteresis on
<b>P1</b>	Hysteresis off

# PMG93 SN6.1.C10

Cam switch with 10 switching outputs, solid shaft  $\varnothing 11$  mm with EURO flange B10

Article number: 11726467

## Dimensions



# PMG93 SN6.1.C10

Cam switch with 10 switching outputs, solid shaft  $\varnothing 11$  mm with EURO flange B10

Article number: 11726467

**Accessories****Mounting accessories**

11725280	Flange $\varnothing 120$ PMG93 CAM
11725269	Flange $\varnothing 160$ PMG93 CAM
11725278	3-pin coupling