

Overview

- Voltage input 8...32 VDC
- Capable of battery voltage
- Supply via input signal
- LED display, 3-digits
- DIN housing 48 x 24 mm



Technical data

Technical data - electrical ratings

Voltage supply	External supply
Power consumption	0.7 W
Display	LED, 7-segment display (with 60 unit stickers for front)
Display color	1 color - red
Number of digits	3-digits
Digit height	10 mm
Display range	8...32 ("OuE" to signal overflow)
Display refresh	500 ms
Function	Digital display of 1 analog measured value
A/D transformer	Ramp Resolution 14 bit Measuring rate 166/s Measuring accuracy $\pm(0.1\% +3\text{-digit})$ Temp. coeffic. 100 ppm/°C
Analog input	Supply 8...32 V Resolution 0.1 V
Limits	Without
Inputs	Voltage 8...32 VDC
Data memory	>10 years in EEPROM
Analog output	Without

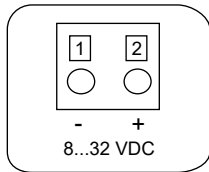
Technical data - electrical ratings

Outputs relay	Without
Standard DIN EN 61010-1	ISO 16750-2 (Electrical loads)
Emitted interference	EN 61000-6-3
Interference immunity	EN 61000-6-2

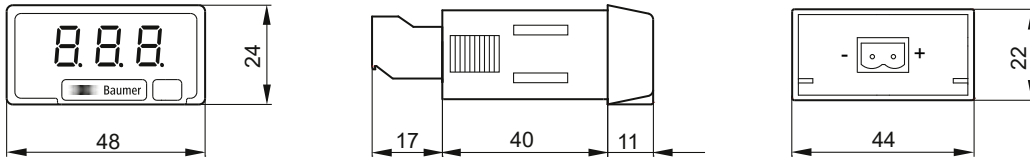
Technical data - mechanical design

Ambient temperature	-10...+60 °C
Storage temperature	-25...+85 °C
Relative humidity	95 % non-condensing
Connection	Spring-loaded terminal connector, detachable
Core cross-section	1 mm ² (Grid 2.54) 2.5 mm ² (Grid 7.62)
Protection EN 60529	IP 65 (face)
Operation / keypad	3 softkeys below bezel
Housing type	Built-in housing
Dimensions W x H x L	1/32 DIN 48 x 24 x 68 mm
Cutout dimensions	45 x 22.2 mm (+0.3)
Mounting depth	57 mm
Mounting type	Front panel installation by clip frame
Weight approx.	50 g
Material	Housing: Polycarbonate, UL 94V-0

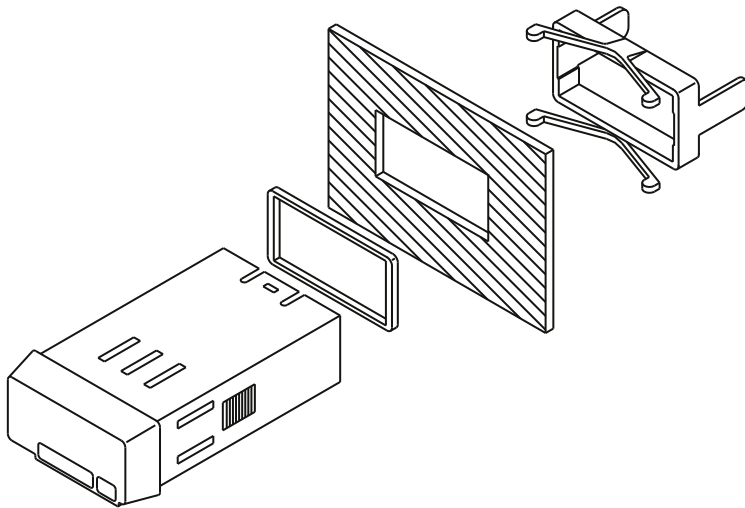
Connection diagram



Dimensions



PA213 - without clip frame



Clip frame mounting (Seal and Clamping frame included in the scope of delivery)