

**Overview**

- Current input 4...20 mA
- Supply via input signal
- Display range can be linearised
- LED display, 4 digits, programmable
- DIN housing 48 x 24 mm



**Technical data**

**Technical data - electrical ratings**

Voltage supply	External supply
Display	LED, 7-segment display (with 60 unit stickers for front)
Display color	1 color - red
Number of digits	4-digits
Digit height	10 mm
Display range	-1999...9999 ("OuE" to signal overflow)
Display refresh	500 ms
Function	Digital display of 1 analog measured value
A/D transformer	Principle $\Sigma\Delta$ Resolution 16 bit Measuring rate 62/s Measuring accuracy $\pm(0.1\% + 3\text{-digit})$ Temp. coeffic. 100 ppm/°C
Analog input	Current input
Programmable parameters	Display range can be linearised Decimal point
Limits	Without
Inputs	Current 4...20 mA
Data memory	>10 years in EEPROM
Analog output	Without

**Technical data - electrical ratings**

Outputs relay	Without
Standard DIN EN 61010-1	ISO 16750-2 (Electrical loads)
Emitted interference	EN 61000-6-3
Interference immunity	EN 61000-6-2

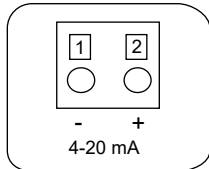
**Technical data - mechanical design**

Ambient temperature	-10...+60 °C
Storage temperature	-25...+85 °C
Relative humidity	95 % non-condensing
Connection	Spring-loaded terminal connector, detachable
Core cross-section	1 mm <sup>2</sup> (Grid 2.54) 2.5 mm <sup>2</sup> (Grid 7.62)
Protection EN 60529	IP 65 (face)
Operation / keypad	3 softkeys below bezel
Housing type	Built-in housing
Dimensions W x H x L	1/32 DIN 48 x 24 x 68 mm
Cutout dimensions	45 x 22.2 mm (+0.3)
Mounting depth	57 mm
Mounting type	Front panel installation by clip frame
Weight approx.	50 g
Material	Housing: Polycarbonate, UL 94V-0

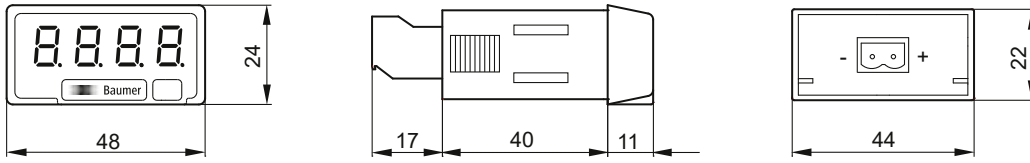
## Inputs and outputs

Signal	Resolution	Input resistance
4...20 mA	0.01 mA	10 $\Omega$

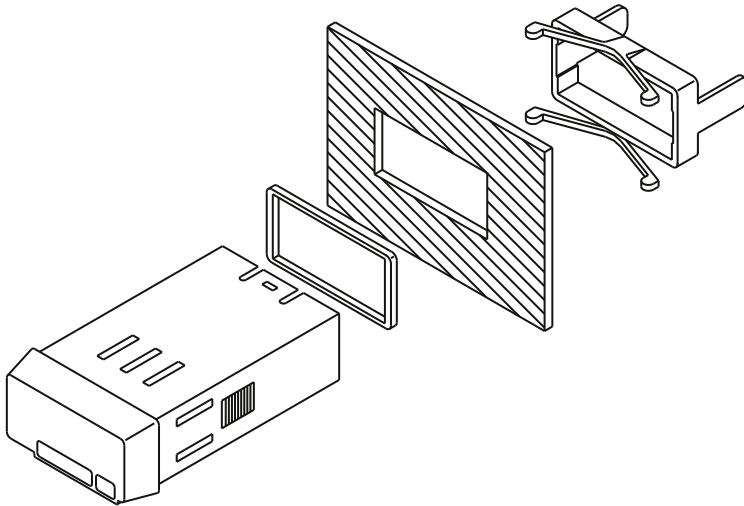
## Connection diagram



## Dimensions



PA210 - without clip frame



Clip frame mounting (Seal and Clamping frame included in the scope of delivery)