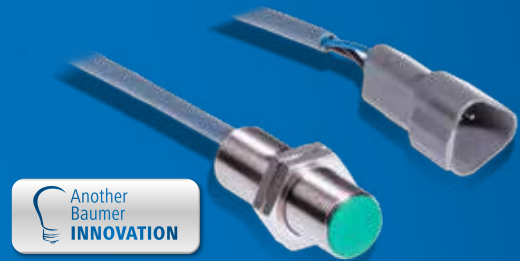


# Off-highway inductive switches.

## Designed for reliability

Inductive sensors are the technology of choice in agricultural and off-highway machinery for switching applications and allow for robust, non-contact measurement. Baumer inductive sensor technology and designed for reliability improves end customer uptime and productivity. The proven Baumer design and full industry compliance reduce R&D cost and time to market.

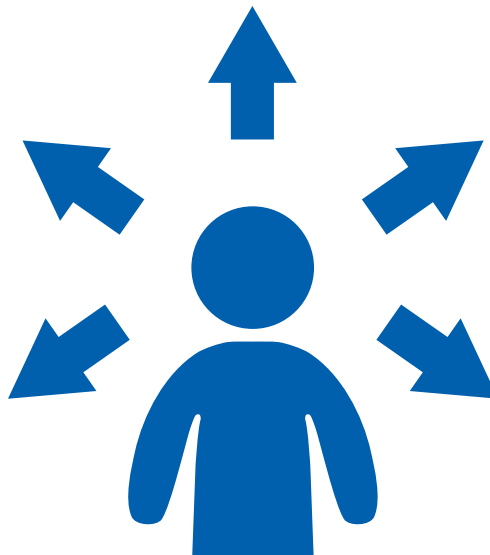
- High reliability design tested according to the highest off-highway industry standards
- HeavyDuty PUR cable for reliable crimping of heavy vehicle connectors
- Platform incorporates over 40 years inductive sensor know-how
- Best in class switching point stability



Simple and easy design in due to full industry compliance (EN ISO 14982, EN 13309, ISO 13766, EN60947-5-2)

High reliability design reduces sensor fails and warranty issues

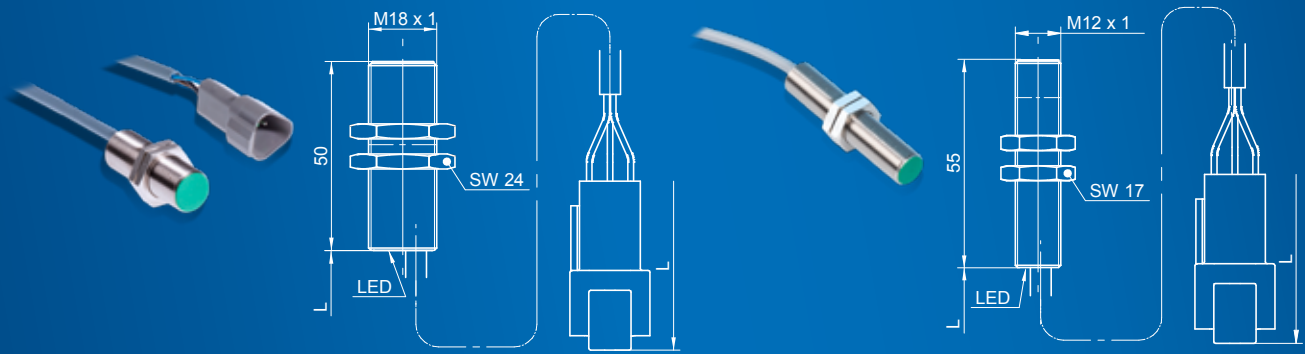
Technology of choice, readily available



Suitable wire thickness for industry typical connectors reduces likelihood of connector failures

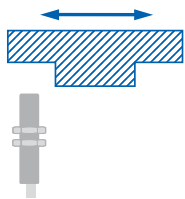
No wear, contactless, measurement

# Product overview IR18 / IR12

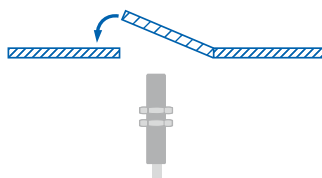


Part number	Type	Electrical specification	Mechanical interface	Ambient conditions	Output function
IR18V.P08S-11177635 IR18V.P08S-11177440	M18 / NPN M18 / PNP	Supply voltage: 7 V ... 48 V (12 V / 24 V vehicle power) Supply current: ≤ 10 mA Max. output current: ≤ 200 mA EMC: 100 V/m radiated, 200 mA BCI	Cylindrical threaded: (M18×1 / M12 × 1) Cable: PUR 3 × 0.75mm <sup>2</sup> Connector: DEUTSCH DT04-3P (other connector systems are possible) L=350 mm (other lengths possible)	Storage / operating temperature: -40 °C ... +85 °C Protection class: IP 68 (1.5 m for 24 h) / IP 69K	Operating distance Sd: 0 ... 8 mm Output circuit: NPN / PNP Switching frequency: 800 Hz
IR12V.P04S-11177636 IR12V.P04S-11177442	M12 / NPN M12 / PNP				Operating distance Sd: 0 ... 4 mm Output circuit: NPN / PNP Switching frequency: 2 kHz

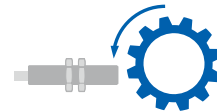
## Some application fields for Baumer inductive switches.



Limit stop determination  
(e. g. limit rotation / movement  
of devices)



Latch open / close



Speed signal

 **Baumer**  
Passion for Sensors

Baumer Group  
International Sales  
P.O. Box · Hummelstrasse 17 · CH-8501 Frauenfeld  
Phone +41 (0)52 728 1122 · Fax +41 (0)52 728 1144  
sales@baumer.com · www.baumer.com

Learn more about the Baumer inductive sensors  
at [www.baumer.com](http://www.baumer.com)

Find your local partner: [www.baumer.com/worldwide](http://www.baumer.com/worldwide)