

# OSDK 10D9005/S35A

Through beam sensors - miniature

Article number: 10165143

## Overview

- emitter
- through beam laser sensor
- 8 m
- pulsed red laser diode
- connector M8 4 pin
- -10 ... 50 °C
- IP 67



Picture similar



## Technical data

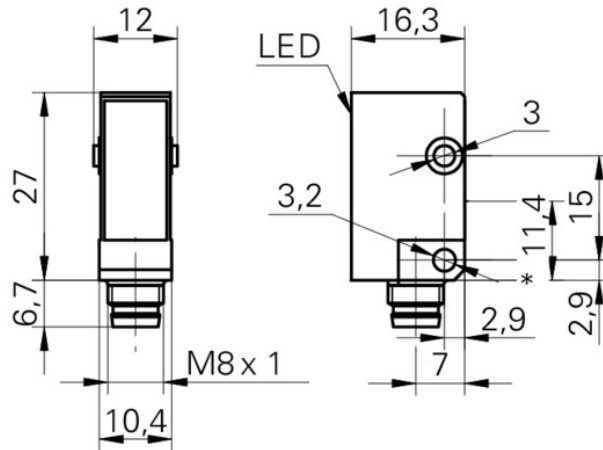
General data		Electrical data	
Type	Through beam laser sensor	Reverse polarity protection	Yes
Emitter / receiver	Emitter	Mechanical data	
Light source	Pulsed red laser diode	Width / diameter	10.4 mm
Actual range Sb	8 m	Height / length	27 mm
Nominal range Sn	10 m	Depth	16.3 mm
Laser class	1	Type	Rectangular
Distance to focus	Parallel beam	Housing material	Plastic (ASA)
Wave length	650 nm	Front (optics)	PMMA
Electrical data		Connection types	Connector M8 4 pin
Voltage supply range +Vs	11 ... 30 VDC	Ambient conditions	
Current consumption max. (no load)	30 mA	Operating temperature	-10 ... +50 °C
Current consumption typ.	25 mA	Protection class	IP 67

# OSDK 10D9005/S35A

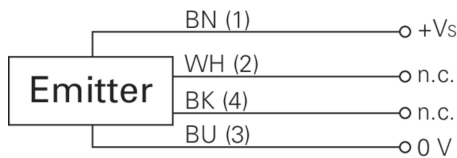
Through beam sensors - miniature

Article number: 10165143

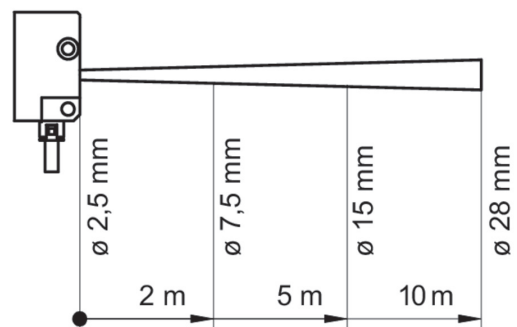
## Technical drawings



## Connection diagram



## Beam characteristic (typically)



## Laser warning

**CLASS 1 LASER  
PRODUCT**

IEC 60825-1/2014  
Complies with 21 CFR 1040.10 and  
1040.11 except for conformance with  
IEC 60825-1 Ed. 3., as described in  
Laser Notice No. 56, dated May 8, 2019