

## OR18.ZL-PV1P.7BO/B013

Diffuse sensors with intensity difference - standard

Article number: 11157802

### Overview

- intensity difference
- 10 ... 300 mm
- pulsed red laser diode
- PNP complementary
- potentiometer, 270°
- connector M12 4 pin
- -10 ... 55 °C
- IP 67



Picture similar



### Technical data

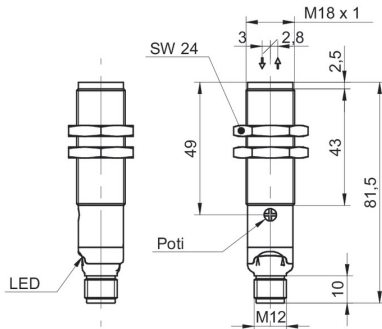
General data		Electrical data	
Type	Intensity difference	Current consumption typ.	35 mA
Light source	Pulsed red laser diode	Voltage drop Vd	< 2 VDC
Sensing distance Tw	10 ... 300 mm	Output function	Light / dark operate
Power on indication	LED green	Output circuit	PNP complementary
Output indicator	LED yellow	Output current	< 100 mA
Sensing distance adjustment	Potentiometer, 270°	Short circuit protection	Yes
Laser class	1	Reverse polarity protection	Yes
Distance to focus	100 mm	Mechanical data	
Wave length	630 nm	Width / diameter	18 mm
Suppression of reciprocal influence	Yes	Height / length	81,5 mm
Electrical data		Type	Cylindrical threaded
Response time / release time	< 0,34 ms	Housing material	Brass nickel plated
Voltage supply range +Vs	10 ... 30 VDC	Front (optics)	PMMA
Current consumption max. (no load)	45 mA	Connection types	Connector M12 4 pin
		Ambient conditions	
		Operating temperature	-10 ... +55 °C
		Protection class	IP 67

# OR18.ZL-PV1P.7BO/B013

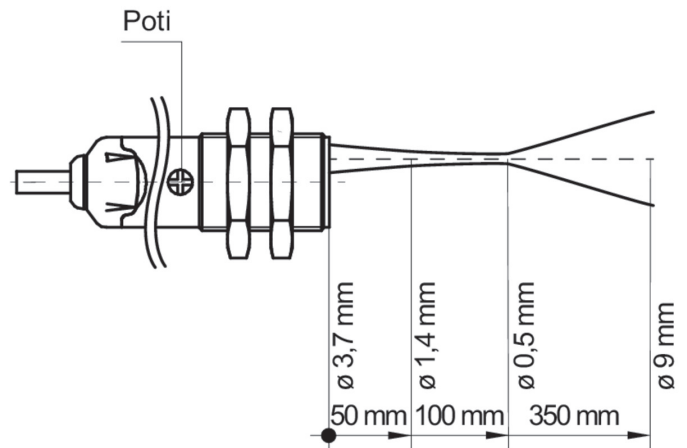
Diffuse sensors with intensity difference - standard

Article number: 11157802

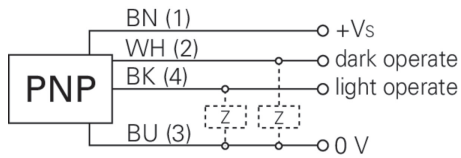
## Dimension drawing



## Beam characteristic (typically)



## Connection diagram

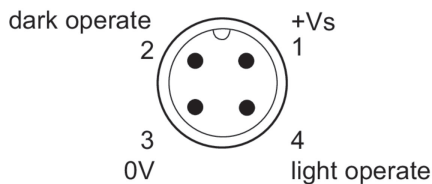


## Laser warning

**CLASS 1 LASER  
PRODUCT**

IEC 60825-1/2014  
Complies with 21 CFR 1040.10 and 1040.11 except for conformance with IEC 60825-1 Ed. 3., as described in Laser Notice No. 56, dated May 8, 2019

## Pin assignment



## Relative receiving signal

