

## OR18.TL-ZZZP.7BO

Through beam sensors - standard

Article number: 11157829

### Overview

- emitter
- through beam sensor
- 55 m
- pulsed red laser diode
- connector M12 4 pin
- -10 ... 55 °C
- IP 67



Picture similar



### Technical data

#### General data

Type	Through beam sensor
Emitter / receiver	Emitter
Light source	Pulsed red laser diode
Actual range Sb	55 m
Nominal range Sn	60 m
Power on indication	LED green
Emission power adjustment	No
Laser class	1
Distance to focus	Parallel beam
Wave length	630 nm

#### Electrical data

Voltage supply range +Vs	10 ... 30 VDC
Current consumption max. (no load)	45 mA

#### Electrical data

Current consumption typ.	35 mA
Reverse polarity protection	Yes

#### Mechanical data

Width / diameter	18 mm
Height / length	71,5 mm
Type	Cylindrical threaded
Housing material	Brass nickel plated
Front (optics)	PMMA
Connection types	Connector M12 4 pin

#### Ambient conditions

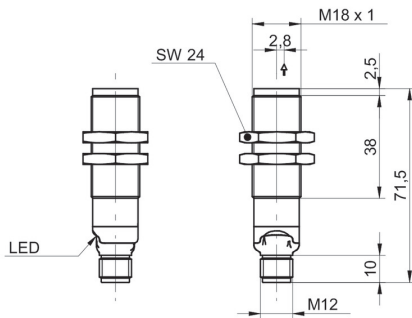
Operating temperature	-10 ... +55 °C
Protection class	IP 67

# OR18.TL-ZZZP.7BO

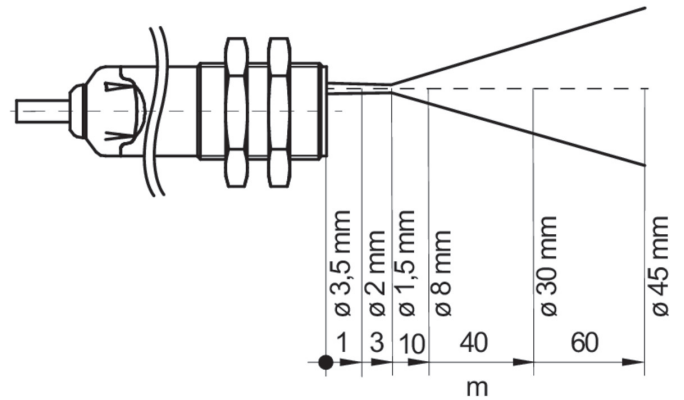
Through beam sensors - standard

Article number: 11157829

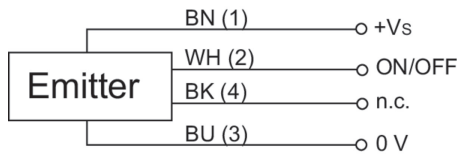
### Dimension drawing



### Beam characteristic (typically)



### Connection diagram



### Laser warning

**CLASS 1 LASER  
PRODUCT**

IEC 60825-1/2014  
Complies with 21 CFR 1040.10 and 1040.11 except for conformance with IEC 60825-1 Ed. 3., as described in Laser Notice No. 56, dated May 8, 2019

### Pin assignment

