

OR18.RL-NV1P.7BO

Retro-reflective sensors - standard

Article number: 11157786

Overview

- retro-reflective sensor
- 15 m
- pulsed red laser diode
- NPN complementary
- potentiometer, 270°
- connector M12 4 pin
- -10 ... 55 °C
- IP 67



Picture similar



Technical data

General data

Type	Retro-reflective sensor
Light source	Pulsed red laser diode
Actual range Sb	15 m
Nominal range Sn	16 m
Polarization filter	Yes
Output indicator	LED yellow
Power on indication	LED green
Sensitivity adjustment	Potentiometer, 270°
Laser class	1
Distance to focus	Parallel beam
Wave length	630 nm
Suppression of reciprocal influence	Yes

Electrical data

Response time / release time	< 0,34 ms
Voltage supply range +Vs	10 ... 30 VDC
Current consumption max. (no load)	45 mA

Electrical data

Current consumption typ.	35 mA
Voltage drop Vd	< 2 VDC
Output function	Light / dark operate
Output circuit	NPN complementary
Output current	< 100 mA
Short circuit protection	Yes
Reverse polarity protection	Yes

Mechanical data

Width / diameter	18 mm
Height / length	81,5 mm
Type	Cylindrical threaded
Housing material	Brass nickel plated
Front (optics)	PMMA
Connection types	Connector M12 4 pin

Ambient conditions

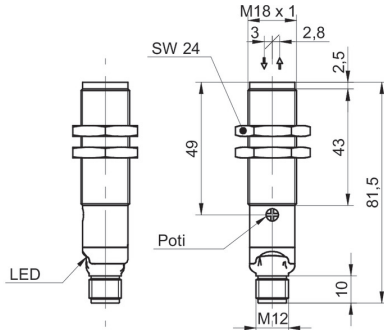
Operating temperature	-10 ... +55 °C
Protection class	IP 67

OR18.RL-NV1P.7BO

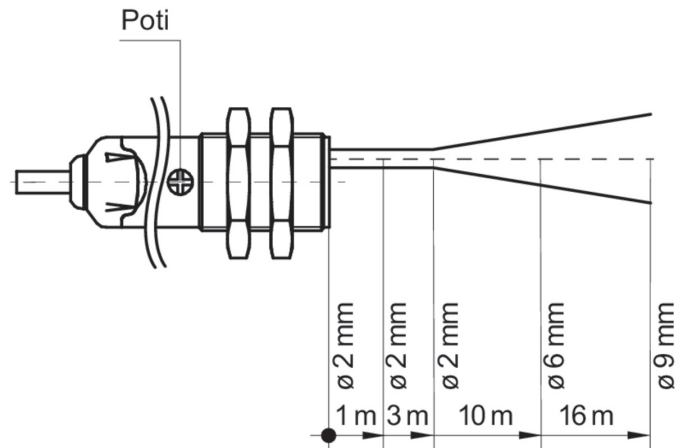
Retro-reflective sensors - standard

Article number: 11157786

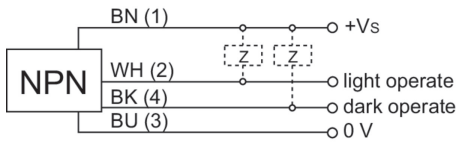
Dimension drawing



Beam characteristic (typically)



Connection diagram



Laser warning

**CLASS 1 LASER
PRODUCT**

IEC 60825-1/2014

Complies with 21 CFR 1040.10 and 1040.11 except for conformance with IEC 60825-1 Ed. 3., as described in Laser Notice No. 56, dated May 8, 2019

Pin assignment

