

OR18.RL-NV1P.7BCV

Retro-reflective sensors - standard

Article number: 11157787

Overview

- retro-reflective sensor
- 15 m
- pulsed red laser diode
- NPN complementary
- potentiometer, 270°
- cable 4 pin, 2 m
- -10 ... 55 °C
- IP 67



Picture similar



Technical data

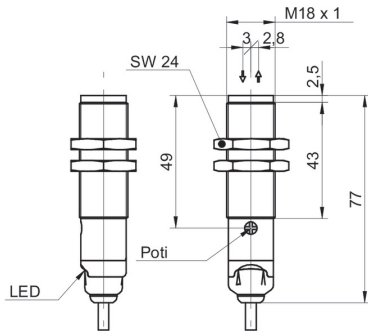
General data		Electrical data	
Type	Retro-reflective sensor	Current consumption typ.	35 mA
Light source	Pulsed red laser diode	Voltage drop Vd	< 2 VDC
Actual range Sb	15 m	Output function	Light / dark operate
Nominal range Sn	16 m	Output circuit	NPN complementary
Polarization filter	Yes	Output current	< 100 mA
Output indicator	LED yellow	Short circuit protection	Yes
Power on indication	LED green	Reverse polarity protection	Yes
Sensitivity adjustment	Potentiometer, 270°	Mechanical data	
Laser class	1	Width / diameter	18 mm
Distance to focus	Parallel beam	Height / length	77 mm
Wave length	630 nm	Type	Cylindrical threaded
Suppression of reciprocal influence	Yes	Housing material	Brass nickel plated
Electrical data		Front (optics)	PMMA
Response time / release time	< 0,34 ms	Connection types	Cable 4 pin, 2 m
Voltage supply range +Vs	10 ... 30 VDC	Ambient conditions	
Current consumption max. (no load)	45 mA	Operating temperature	-10 ... +55 °C
		Protection class	IP 67

OR18.RL-NV1P.7BCV

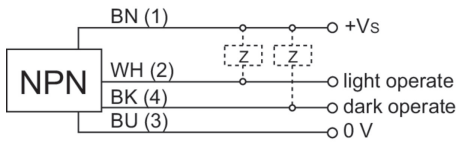
Retro-reflective sensors - standard

Article number: 11157787

Dimension drawing



Connection diagram



Laser warning

**CLASS 1 LASER
PRODUCT**

IEC 60825-1/2014

Complies with 21 CFR 1040.10 and 1040.11 except for conformance with IEC 60825-1 Ed. 3., as described in Laser Notice No. 56, dated May 8, 2019

Beam characteristic (typically)

