

OHDK 25G6912/S14C

Diffuse sensors with background suppression - standard

Article number: 11079992

Overview

- background suppression
- 100 ... 1750 mm
- pulsed red laser diode
- push-pull
- Teach-in
- connector M12 5 pin
- 50 °C
- IP 67



Picture similar



Technical data

General data

Type	Background suppression
Light source	Pulsed red laser diode
Sensing distance T_w	100 ... 1750 mm
Sensing range T_b	100 ... 1750 mm
Power on indication	LED green
Light indicator	LED yellow
Sensing distance adjustment	Teach-in
Laser class	1
Wave length	656 nm
Beam diameter	3.7 ... 22 mm
Black/white shift	0%

Electrical data

Response time / release time	< 10 ms
Voltage supply range +Vs	10 ... 30 VDC
Current consumption max. (no load)	80 mA
Voltage drop V_d	< 3.5 VDC

Electrical data

Output function	Light / dark operate
Output circuit	Push-pull
Output current	< 100 mA
Number of outputs	2
Short circuit protection	Yes
Reverse polarity protection	Yes

Mechanical data

Width / diameter	23.4 mm
Height / length	63 mm
Depth	45 mm
Type	Rectangular
Housing material	Plastic (SAN LURAN 378P)
Front (optics)	PMMA
Connection types	Connector M12 5 pin

Ambient conditions

Protection class	IP 67
Operating temperature	0 ... +50 °C
Storage temperature	-10 ... +70 °C

Remarks

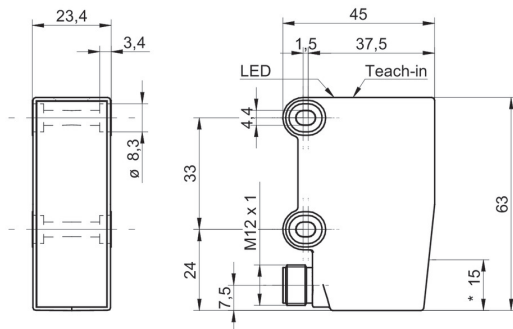
- qTeach

OHDK 25G6912/S14C

Diffuse sensors with background suppression - standard

Article number: 11079992

Dimension drawing



- * emitter axis

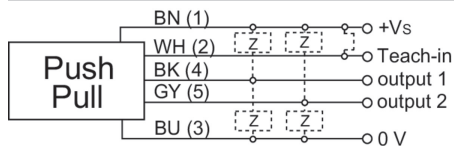
Laser warning

**CLASS 1 LASER
PRODUCT**

IEC 60825-1/2014

Complies with 21 CFR 1040.10 and 1040.11 except for conformance with IEC 60825-1 Ed. 3., as described in Laser Notice No. 56, dated May 8, 2019

Connection diagram



Switching point

