

# OEDK 10N5105

Through beam sensors - miniature

Article number: 10165137

## Overview

- receiver
- through beam laser sensor
- 8 m
- NPN
- potentiometer, 270°
- cable 4 pin, 2 m
- -10 ... 50 °C
- IP 65



Picture similar



## Technical data

### General data

Type	Through beam laser sensor
Emitter / receiver	Receiver
Actual range Sb	8 m
Nominal range Sn	10 m
Alignment / soiled lens indicator	Flashing light indicator
Light indicator	LED yellow
Sensitivity adjustment	Potentiometer, 270°

### Electrical data

Response time / release time	< 0.2 ms
Voltage supply range +Vs	11 ... 30 VDC
Current consumption max. (no load)	16 mA
Current consumption typ.	16 mA
Voltage drop Vd	< 1.8 VDC

### Electrical data

Output function	Light / dark operate
Output circuit	NPN
Output current	< 100 mA
Short circuit protection	Yes
Reverse polarity protection	Yes

### Mechanical data

Width / diameter	10.4 mm
Height / length	27 mm
Depth	14 mm
Type	Rectangular
Housing material	Plastic (ASA)
Front (optics)	PMMA
Connection types	Cable 4 pin, 2 m

### Ambient conditions

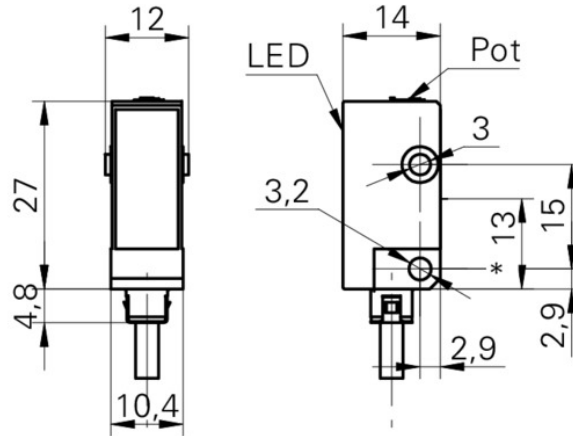
Operating temperature	-10 ... +50 °C
Protection class	IP 65

# OEDK 10N5105

Through beam sensors - miniature

Article number: 10165137

## Technical drawings



## Connection diagram

