

**Overview**

- 30 ... 130 mm
- pulsed red laser diode
- analog
- external
- connector M12 8 pin
- 50 °C
- IP 69K & proTect+



Picture similar



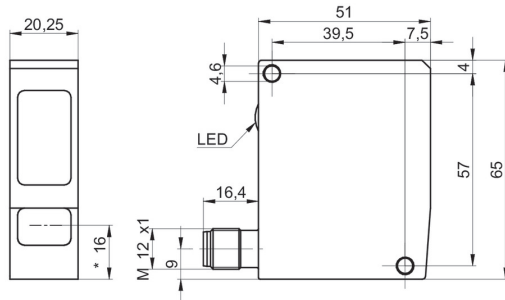
**Technical data**

General data		Electrical data	
Measuring distance Sd	30 ... 130 mm	Output circuit	Analog
Special type	Washdown design	Output signal	4 ... 20 mA / 0 ... 10 VDC
Beam diameter	2 ... 1 mm	Load resistance (analog I)	< (+Vs - 6 V) / 0,02 A
Adjustment	External	Load resistance (analog U)	> 100 kOhm
Teach-in range min.	> 3 mm	Output current	< 100 mA
Power on indication	LED green	Alarm output	PNP
Soiled lens indicator	LED red	Short circuit protection	Yes
Resolution	5 ... 60 µm	Reverse polarity protection	Yes, Vs to GND
Linearity error	± 0.015 ... 0.2 mm	Mechanical data	
Beam type	Point	Width / diameter	20.3 mm
Temperature drift	< 0,03 % Sde/K	Height / length	65 mm
Approvals/certificates	Ecolab	Depth	51 mm
Light Source		Type	Rectangular
Light source	Pulsed red laser diode	Housing material	Stainless steel 1.4404 (V4A)
Wave length	650 nm	Front (optics)	PMMA
Laser class	2	Connection types	Connector M12 8 pin
Electrical data		Ambient conditions	
Response time / release time	< 0.9 ms	Ambient light immunity	< 40 kLux
Voltage supply range +Vs	12 ... 28 VDC	Protection class	IP 69K & proTect+
Current consumption max. (no load)	100 mA	Operating temperature	0 ... +50 °C

**Remarks**

- Sensor FDA compliant and Ecolab approved
- Sensitivity adjustable: via Teach-in wire input

**Dimension drawing**



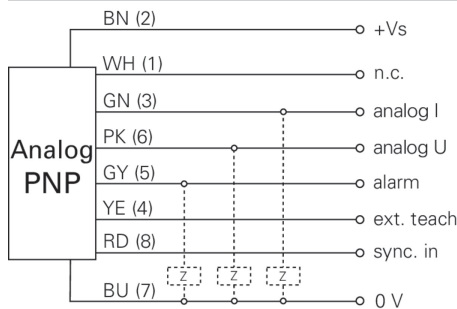
- \* emitter axis

**Laser warning**

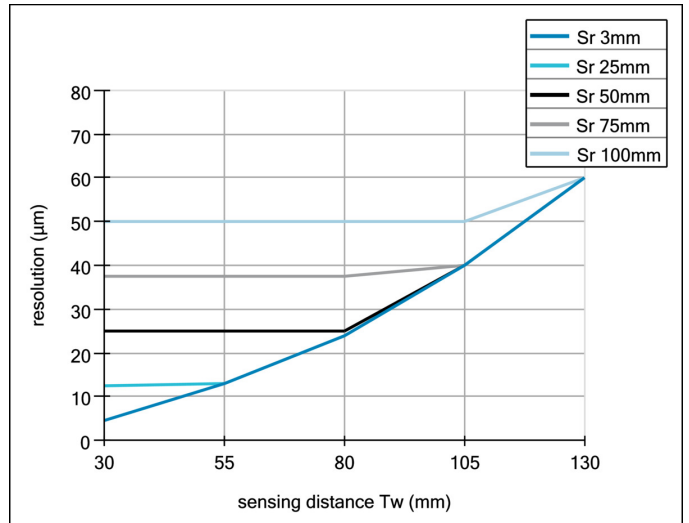
**LASER RADIATION**  
**DO NOT STARE INTO BEAM**  
Wavelength: 640...670nm  
IEC 60825-1, Ed. 3, 2014  
**CLASS 2 LASER PRODUCT**

IEC 60825-1/2014 Complies with 21 CFR 1040.10 and 1040.11 except for conformance with IEC 60825-1 Ed. 3., as described in Laser Notice No. 56, dated May 8, 2019

**Connection diagram**



**Resolution**



**Linearity error**

