

O500.GP-NV1T.72CU/T003

Diffuse sensors with background suppression - for longer ranges

Article number: 11135857

Overview

- background suppression
- 60 ... 400 mm
- pulsed PinPoint LED
- NPN complementary
- qTeach / 1-Step Teach-in
- cable 4 pin, 2 m
- -25 ... 60 °C
- IP 67



Picture similar



Technical data

General data

Type	Background suppression
Light source	Pulsed PinPoint LED
Sensing distance T_w	60 ... 400 mm
Sensing range T_b	30 ... 400 mm
Power on indication	LED green
Light indicator	LED yellow
Sensing distance adjustment	qTeach / 1-Step Teach-in
Wave length	630 nm
Suppression of reciprocal influence	Yes
Alignment optical axis	< 1°

Electrical data

Response time / release time	< 0.49 ms
Voltage supply range +Vs	10 ... 30 VDC
Current consumption max. (no load)	40 mA

Electrical data

Current consumption typ.	30 mA
Voltage drop V_d	< 3 VDC
Output function	Light / dark operate
Output circuit	NPN complementary
Output current	< 100 mA
Short circuit protection	Yes
Reverse polarity protection	Yes

Mechanical data

Width / diameter	18 mm
Height / length	45 mm
Depth	32 mm
Type	Rectangular
Housing material	Plastic (ASA, PMMA)
Front (optics)	PMMA
Connection types	Cable 4 pin, 2 m

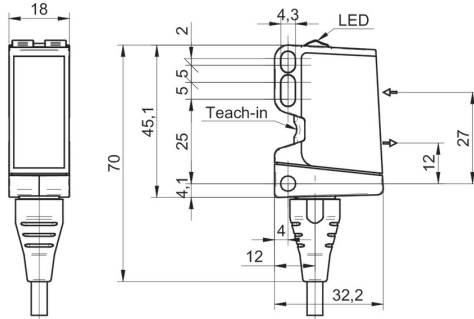
Ambient conditions

Protection class	IP 67
Operating temperature	-25 ... +60 °C

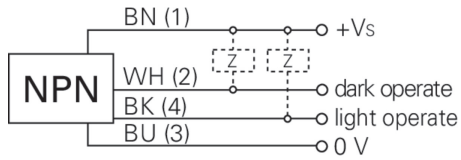
Remarks

- qTeach

Dimension drawing



Connection diagram



Beam characteristic (typically)

